



SECTION A. Table of Contents

Section A. Facility/Source Identification

Table of Contents
Site Inventory List

Section B. General Title V Requirements

- #001 Definitions
- #002 Prohibition of Air Pollution
- #003 Property Rights
- #004 Permit Expiration
- #005 Permit Renewal
- #006 Transfer of Ownership or Operational Control
- #007 Inspection and Entry
- #008 Compliance Requirements
- #009 Need to Halt or Reduce Activity Not a Defense
- #010 Duty to Provide Information
- #011 Reopening and Revising the Title V Permit for Cause
- #012 Reopening a Title V Permit for Cause by EPA
- #013 Operating Permit Application Review by the EPA
- #014 Significant Operating Permit Modifications
- #015 Minor Operating Permit Modifications
- #016 Administrative Operating Permit Amendments
- #017 Severability Clause
- #018 Fee Payment
- #019 Authorization for De Minimis Emission Increases
- #020 Reactivation of Sources
- #021 Circumvention
- #022 Submissions
- #023 Sampling, Testing and Monitoring Procedures
- #024 Recordkeeping Requirements
- #025 Reporting Requirements
- #026 Compliance Certification
- #027 Operational Flexibility
- #028 Risk Management
- #029 Approved Economic Incentives and Emission Trading Programs
- #030 Permit Shield
- #031 Reporting
- #032 Report Format

Section C. Site Level Title V Requirements

- C-I: Restrictions
- C-II: Testing Requirements
- C-III: Monitoring Requirements
- C-IV: Recordkeeping Requirements
- C-V: Reporting Requirements
- C-VI: Work Practice Standards
- C-VII: Additional Requirements
- C-VIII: Compliance Certification
- C-IX: Compliance Schedule

Section D. Source Level Title V Requirements

- D-I: Restrictions
- D-II: Testing Requirements
- D-III: Monitoring Requirements
- D-IV: Recordkeeping Requirements
- D-V: Reporting Requirements



SECTION A. Table of Contents

D-VI: Work Practice Standards
D-VII: Additional Requirements

Note: These same sub-sections are repeated for each source!

Section E. Source Group Restrictions

E-I: Restrictions
E-II: Testing Requirements
E-III: Monitoring Requirements
E-IV: Recordkeeping Requirements
E-V: Reporting Requirements
E-VI: Work Practice Standards
E-VII: Additional Requirements

Section F. Alternative Operating Scenario(s)

F-I: Restrictions
F-II: Testing Requirements
F-III: Monitoring Requirements
F-IV: Recordkeeping Requirements
F-V: Reporting Requirements
F-VI: Work Practice Standards
F-VII: Additional Requirements

Section G. Emission Restriction Summary

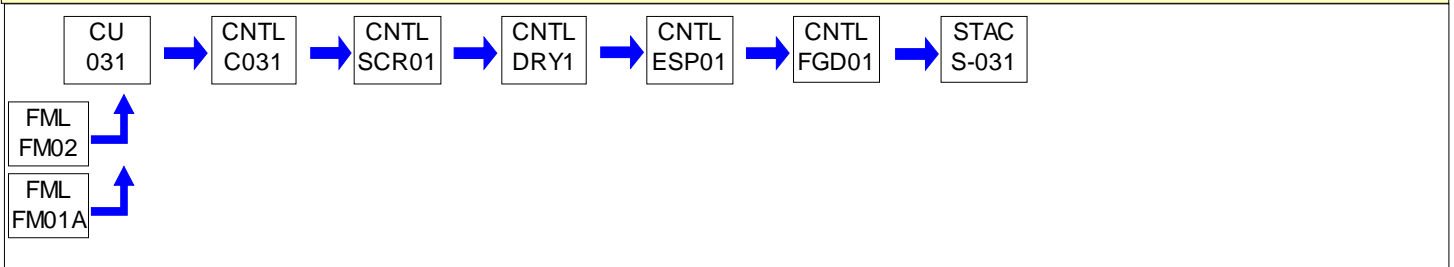
Section H. Miscellaneous

**SECTION A. Site Inventory List**

Source ID	Source Name	Capacity/Throughput		Fuel/Material
031	CE BOILER - UNIT 1	7,317.000	MMBTU/HR	
		266.200	Tons/HR	Bituminous
		8,930.000	Gal/HR	#2 Oil
032	CE BOILER - UNIT 2	7,239.000	MMBTU/HR	
		8,930.000	Gal/HR	#2 Oil
		264.100	Tons/HR	Bituminous
033A	AUXILIARY BOILER 11A	249.900	MMBTU/HR	
		1,800.000	Gal/HR	#2 OIL (0.05% SULFUR)
034	AUX CE BOILER 2 (UNIT 11B)	269.000	MMBTU/HR	
		1,910.000	Gal/HR	#2 Oil
P201A	EMERGENCY GENERATOR 1A D398	5.800	MMBTU/HR	
		44.900	Gal/HR	#2 Oil
P202A	EMERGENCY GENERATOR 1B D398	5.800	MMBTU/HR	
		44.900	Gal/HR	#2 Oil
P203	EMERGENCY GENERATOR 2 D343	2.400	MMBTU/HR	
		18.500	Gal/HR	#2 Oil
P101	TWO #2 FUEL OIL STORAGE TANKS			
P104	FLYASH HANDLING SYSTEM			
P105	FLYASH DISPOSAL SITE			
P106	COAL STORAGE PILE			
P107	LIMESTONE HANDLING, PROCESSING, AND STORAGE OPERATIONS			
P108	GYPSUM SLUDGE HANDLING, PROCESSING AND STORAGE OPERATION			
P109	WASTEWATER TREATMENT LIME STORAGE SILO			
P110	SORBENT DELIVER, HANDLE, STORE, AND INJECT OPERATIONS			
P301	TWO (2) DIESEL-FIRED ENGINE-PUMPS			
P302	EMERGENCY SERVICE WATER PUMP 1A			
C031	ABB LNCFS LEVEL III LOW NOX BURNERS			
C032	ABB LNCFS LEVEL III LOW NOX BURNERS			
C104A	BULK LOADOUT SPOUT			
C104B	FABRIC COLLECTOR			
C104C	CONVEYING EQUIPMENT			
C107	DUST SOLUTIONS, INC., DRY FOG MISTER WATER SPRAY DUST SUPPRE			
C109	WASTEWATER TREATMENT LIME STORAGE SILO FABRIC COLLECTOR			
C110	4 BIN VENT FILTERS			
DRY1	UNIT 1 DRY INJECTION SYSTEM			
DRY2	UNIT 2 DRY INJECTION SYSTEM			
ESP01	UNIT 1 ESP			
ESP02	UNIT 2 ESP			
FGD01	UNIT 1 FLUE GAS DESULFURIZATION SYSTEM			

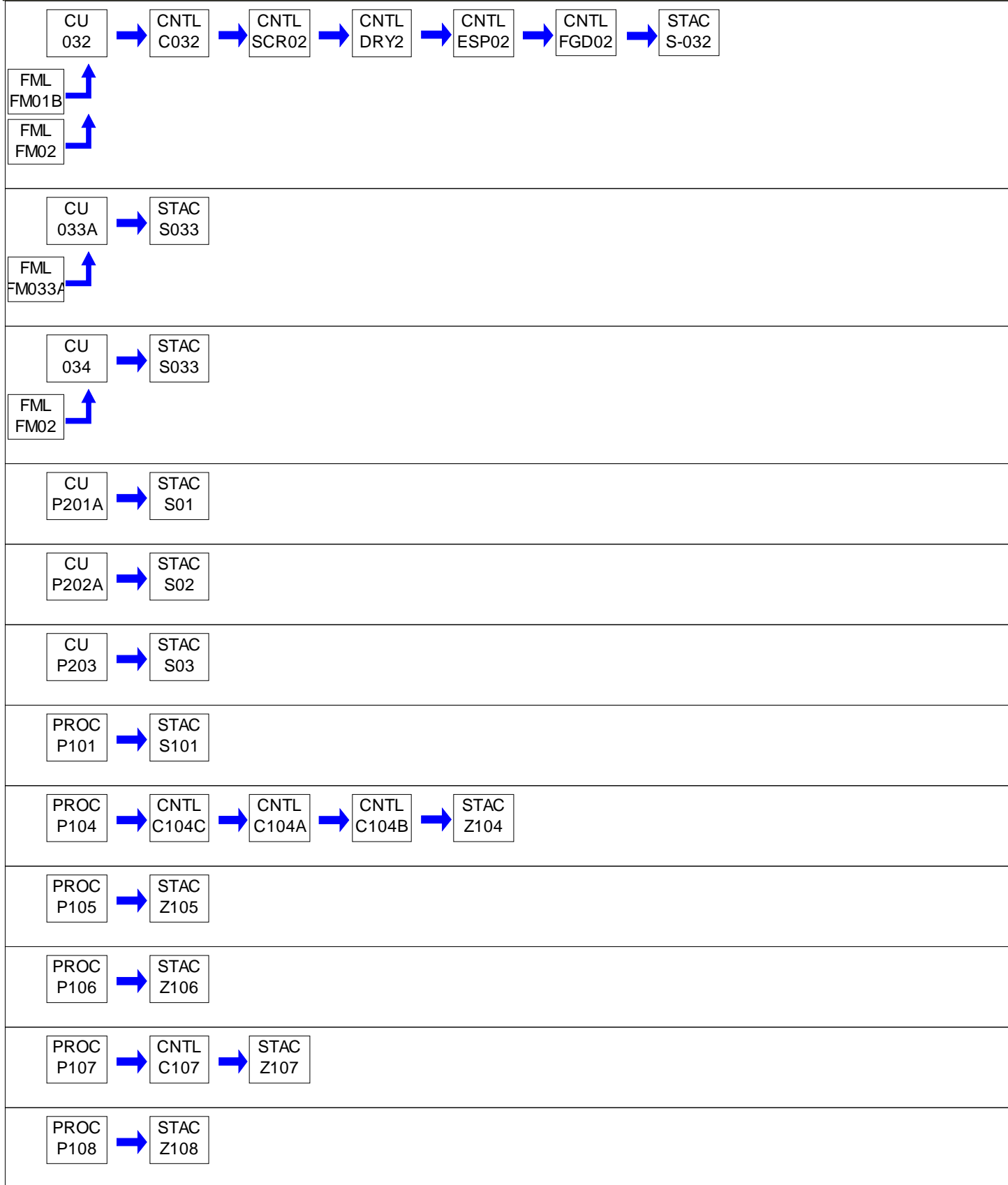
**SECTION A. Site Inventory List**

Source ID	Source Name	Capacity/Throughput	Fuel/Material
FGD02	UNIT 2 FLUE GAS DESULFURIZATION SYSTEM		
SCR01	UNIT 1 SCR		
SCR02	UNIT 2 SCR		
FM01A	UNIT 1 COAL SOURCE		
FM01B	UNIT 2 COAL SOURCE		
FM02	#2 OIL STORAGE TANK		
FM033A	NO. 2 OIL (0.05% SULFUR) SUPPLY FOR 033A		
FML301	NO. 2 OIL/DIESEL FUEL SUPPLY		
S-031	UNIT 1 NEW STACK		
S-032	UNIT 2 NEW STACK		
S01	EMER DIESEL GEN 1A STACK		
S02	EMER DIESEL GEN 1B STACK		
S03	EMER DIESEL GEN 2 STACK		
S033	AUX BOILERS COMMON STACK		
S101	OIL TANK VENT		
S109	WASTEWATER TREATMENT LIME STORAGE SILO STACK		
S110	4 BIN VENT FILTER STACKS		
S301	DIESEL-FIRED ENGINE STACKS		
S302	EMERGENCY SERVICE WATER PUMP STACK		
Z104	FLYASH HANDLE & DISPOSAL		
Z105	FLYASH DISPOSAL SITE EMIS		
Z106	COAL PILE EMISSIONS		
Z107	LIMESTONE HANDLING, PROCESSING AND STORAGE FUGITIVE EMISSION		
Z108	GYPHUM SLUDGE OPERATIONS FUGITIVE EMISSIONS		
Z110	SORBENT HANDLING, DELIVERY, AND STORAGE FUGITIVE EMISSIONS		

PERMIT MAPS

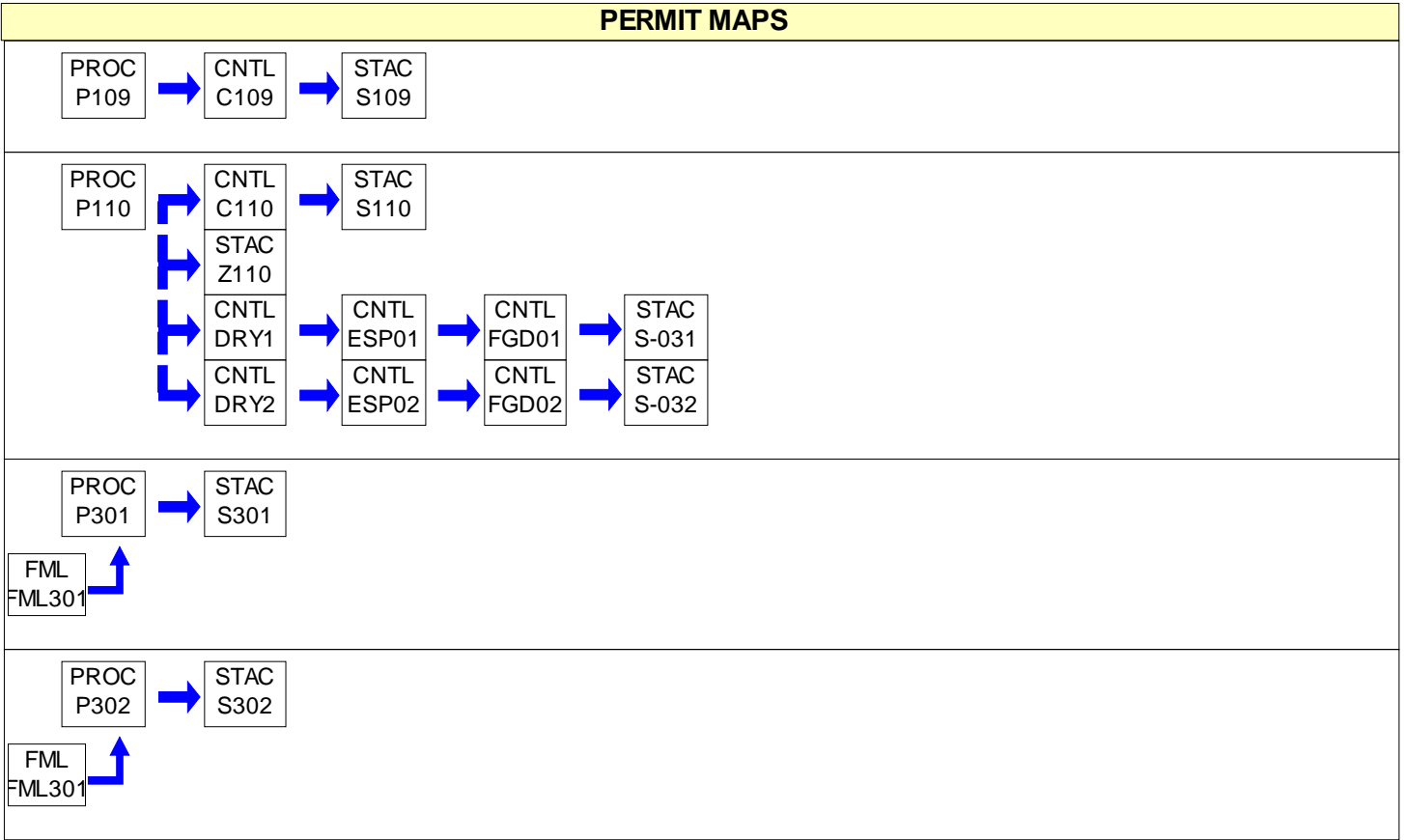


PERMIT MAPS





PERMIT MAPS



**SECTION B. General Title V Requirements****#001 [25 Pa. Code § 121.1]****Definitions**

Words and terms that are not otherwise defined in this permit shall have the meanings set forth in Section 3 of the Air Pollution Control Act (35 P.S. § 4003) and 25 Pa. Code § 121.1.

#002 [25 Pa. Code § 121.7]**Prohibition of Air Pollution**

No person may permit air pollution as that term is defined in the act.

#003 [25 Pa. Code § 127.512(c)(4)]**Property Rights**

This permit does not convey property rights of any sort, or any exclusive privileges.

#004 [25 Pa. Code § 127.446(a) and (c)]**Permit Expiration**

This operating permit is issued for a fixed term of five (5) years and shall expire on the date specified on Page 1 of this permit. The terms and conditions of the expired permit shall automatically continue pending issuance of a new Title V permit, provided the permittee has submitted a timely and complete application and paid applicable fees required under 25 Pa. Code Chapter 127, Subchapter I and the Department is unable, through no fault of the permittee, to issue or deny a new permit before the expiration of the previous permit. An application is complete if it contains sufficient information to begin processing the application, has the applicable sections completed and has been signed by a responsible official.

#005 [25 Pa. Code §§ 127.412, 127.413, 127.414, 127.446(e), 127.503 & 127.704(b)]**Permit Renewal**

(a) An application for the renewal of the Title V permit shall be submitted to the Department at least six (6) months, and not more than 18 months, before the expiration date of this permit. The renewal application is timely if a complete application is submitted to the Department's Regional Air Manager within the timeframe specified in this permit condition.

(b) The application for permit renewal shall include the current permit number, the appropriate permit renewal fee, a description of any permit revisions and off-permit changes that occurred during the permit term, and any applicable requirements that were promulgated and not incorporated into the permit during the permit term. The fees shall be made payable to "The Commonwealth of Pennsylvania Clean Air Fund" and submitted with the fee form to the respective regional office.

(c) The renewal application shall also include submission of proof that the local municipality and county, in which the facility is located, have been notified in accordance with 25 Pa. Code § 127.413. The application for renewal of the Title V permit shall also include submission of compliance review forms which have been used by the permittee to update information submitted in accordance with either 25 Pa. Code § 127.412(b) or § 127.412(j).

(d) The permittee, upon becoming aware that any relevant facts were omitted or incorrect information was submitted in the permit application, shall promptly submit such supplementary facts or corrected information during the permit renewal process. The permittee shall also promptly provide additional information as necessary to address any requirements that become applicable to the source after the date a complete renewal application was submitted but prior to release of a draft permit.

#006 [25 Pa. Code §§ 127.450(a)(4) & 127.464(a)]**Transfer of Ownership or Operational Control**

(a) In accordance with 25 Pa. Code § 127.450(a)(4), a change in ownership or operational control of the source shall be treated as an administrative amendment if:

- (1) The Department determines that no other change in the permit is necessary;
- (2) A written agreement has been submitted to the Department identifying the specific date of the transfer of permit responsibility, coverage and liability between the current and the new permittee; and,
- (3) A compliance review form has been submitted to the Department and the permit transfer has been approved by

**SECTION B. General Title V Requirements**

the Department.

(b) In accordance with 25 Pa. Code § 127.464(a), this permit may not be transferred to another person except in cases of transfer-of-ownership which are documented and approved to the satisfaction of the Department.

#007 [25 Pa. Code § 127.513, 35 P.S. § 4008 and § 114 of the CAA]**Inspection and Entry**

(a) Upon presentation of credentials and other documents as may be required by law for inspection and entry purposes, the permittee shall allow the Department of Environmental Protection or authorized representatives of the Department to perform the following:

- (1) Enter at reasonable times upon the permittee's premises where a Title V source is located or emissions related activity is conducted, or where records are kept under the conditions of this permit;
- (2) Have access to and copy or remove, at reasonable times, records that are kept under the conditions of this permit;
- (3) Inspect at reasonable times, facilities, equipment including monitoring and air pollution control equipment, practices, or operations regulated or required under this permit;
- (4) Sample or monitor, at reasonable times, substances or parameters, for the purpose of assuring compliance with the permit or applicable requirements as authorized by the Clean Air Act, the Air Pollution Control Act, or the regulations promulgated under the Acts.

(b) Pursuant to 35 P.S. § 4008, no person shall hinder, obstruct, prevent or interfere with the Department or its personnel in the performance of any duty authorized under the Air Pollution Control Act.

(c) Nothing in this permit condition shall limit the ability of the EPA to inspect or enter the premises of the permittee in accordance with Section 114 or other applicable provisions of the Clean Air Act.

#008 [25 Pa. Code §§ 127.25, 127.444, & 127.512(c)(1)]**Compliance Requirements**

(a) The permittee shall comply with the conditions of this permit. Noncompliance with this permit constitutes a violation of the Clean Air Act and the Air Pollution Control Act and is grounds for one (1) or more of the following:

- (1) Enforcement action
- (2) Permit termination, revocation and reissuance or modification
- (3) Denial of a permit renewal application

(b) A person may not cause or permit the operation of a source, which is subject to 25 Pa. Code Article III, unless the source(s) and air cleaning devices identified in the application for the plan approval and operating permit and the plan approval issued to the source are operated and maintained in accordance with specifications in the applications and the conditions in the plan approval and operating permit issued by the Department. A person may not cause or permit the operation of an air contamination source subject to 25 Pa. Code Chapter 127 in a manner inconsistent with good operating practices.

(c) For purposes of Sub-condition (b) of this permit condition, the specifications in applications for plan approvals and operating permits are the physical configurations and engineering design details which the Department determines are essential for the permittee's compliance with the applicable requirements in this Title V permit.

#009 [25 Pa. Code § 127.512(c)(2)]**Need to Halt or Reduce Activity Not a Defense**

It shall not be a defense for a permittee in an enforcement action that it would have been necessary to halt or reduce the permitted activity in order to maintain compliance with the conditions of this permit.

**SECTION B. General Title V Requirements****#010 [25 Pa. Code §§ 127.411(d) & 127.512(c)(5)]****Duty to Provide Information**

(a) The permittee shall furnish to the Department, within a reasonable time, information that the Department may request in writing to determine whether cause exists for modifying, revoking and reissuing, or terminating the permit, or to determine compliance with the permit.

(b) Upon request, the permittee shall also furnish to the Department copies of records that the permittee is required to keep by this permit, or for information claimed to be confidential, the permittee may furnish such records directly to the Administrator of EPA along with a claim of confidentiality.

#011 [25 Pa. Code §§ 127.463, 127.512(c)(3) & 127.542]**Reopening and Revising the Title V Permit for Cause**

(a) This Title V permit may be modified, revoked, reopened and reissued or terminated for cause. The filing of a request by the permittee for a permit modification, revocation and reissuance, or termination, or of a notification of planned changes or anticipated noncompliance does not stay a permit condition.

(b) This permit may be reopened, revised and reissued prior to expiration of the permit under one or more of the following circumstances:

(1) Additional applicable requirements under the Clean Air Act or the Air Pollution Control Act become applicable to a Title V facility with a remaining permit term of three (3) or more years prior to the expiration date of this permit. The Department will revise the permit as expeditiously as practicable but not later than 18 months after promulgation of the applicable standards or regulations. No such revision is required if the effective date of the requirement is later than the expiration date of this permit, unless the original permit or its terms and conditions has been extended.

(2) Additional requirements, including excess emissions requirements, become applicable to an affected source under the acid rain program. Upon approval by the Administrator of EPA, excess emissions offset plans for an affected source shall be incorporated into the permit.

(3) The Department or the EPA determines that this permit contains a material mistake or inaccurate statements were made in establishing the emissions standards or other terms or conditions of this permit.

(4) The Department or the Administrator of EPA determines that the permit must be revised or revoked to assure compliance with the applicable requirements.

(c) Proceedings to revise this permit shall follow the same procedures which apply to initial permit issuance and shall affect only those parts of this permit for which cause to revise exists. The revision shall be made as expeditiously as practicable.

(d) Regardless of whether a revision is made in accordance with (b)(1) above, the permittee shall meet the applicable standards or regulations promulgated under the Clean Air Act within the time frame required by standards or regulations.

#012 [25 Pa. Code § 127.543]**Reopening a Title V Permit for Cause by EPA**

As required by the Clean Air Act and regulations adopted thereunder, this permit may be modified, reopened and reissued, revoked or terminated for cause by EPA in accordance with procedures specified in 25 Pa. Code § 127.543.

#013 [25 Pa. Code § 127.522(a)]**Operating Permit Application Review by the EPA**

The applicant may be required by the Department to provide a copy of the permit application, including the compliance plan, directly to the Administrator of the EPA. Copies of title V permit applications to EPA, pursuant to 25 PA Code §127.522(a), shall be submitted, if required, to the following EPA e-mail box:

R3_Air_Apps_and_Notices@epa.gov

Please place the following in the subject line: TV [permit number], [Facility Name].

**SECTION B. General Title V Requirements****#014 [25 Pa. Code § 127.541]****Significant Operating Permit Modifications**

When permit modifications during the term of this permit do not qualify as minor permit modifications or administrative amendments, the permittee shall submit an application for significant Title V permit modifications in accordance with 25 Pa. Code § 127.541. Notifications to EPA, pursuant to 25 PA Code §127.522(a), if required, shall be submitted, to the following EPA e-mail box:

R3_Air_Apps_and_Notices@epa.gov

Please place the following in the subject line: TV [permit number], [Facility Name].

#015 [25 Pa. Code §§ 121.1 & 127.462]**Minor Operating Permit Modifications**

The permittee may make minor operating permit modifications (as defined in 25 Pa. Code §121.1), on an expedited basis, in accordance with 25 Pa. Code §127.462 (relating to minor operating permit modifications). Notifications to EPA, pursuant to 25 PA Code §127.462(c), if required, shall be submitted, to the following EPA e-mail box:

R3_Air_Apps_and_Notices@epa.gov

Please place the following in the subject line: TV [permit number], [Facility Name].

#016 [25 Pa. Code § 127.450]**Administrative Operating Permit Amendments**

(a) The permittee may request administrative operating permit amendments, as defined in 25 Pa. Code §127.450(a). Copies of request for administrative permit amendment to EPA, pursuant to 25 PA Code §127.450(c)(1), if required, shall be submitted to the following EPA e-mail box:

R3_Air_Apps_and_Notices@epa.gov

Please place the following in the subject line: TV [permit number], [Facility Name].

(b) Upon final action by the Department granting a request for an administrative operating permit amendment covered under §127.450(a)(5), the permit shield provisions in 25 Pa. Code § 127.516 (relating to permit shield) shall apply to administrative permit amendments incorporated in this Title V Permit in accordance with §127.450(c), unless precluded by the Clean Air Act or the regulations thereunder.

#017 [25 Pa. Code § 127.512(b)]**Severability Clause**

The provisions of this permit are severable, and if any provision of this permit is determined by the Environmental Hearing Board or a court of competent jurisdiction, or US EPA to be invalid or unenforceable, such a determination will not affect the remaining provisions of this permit.

#018 [25 Pa. Code §§ 127.704, 127.705 & 127.707]**Fee Payment**

(a) The permittee shall pay fees to the Department in accordance with the applicable fee schedules in 25 Pa. Code Chapter 127, Subchapter I (relating to plan approval and operating permit fees). The applicable fees shall be made payable to "The Commonwealth of Pennsylvania Clean Air Fund" with the permit number clearly indicated and submitted to the respective regional office.

(b) Emission Fees. The permittee shall, on or before September 1st of each year, pay applicable annual Title V emission fees for emissions occurring in the previous calendar year as specified in 25 Pa. Code § 127.705. The permittee is not required to pay an emission fee for emissions of more than 4,000 tons of each regulated pollutant emitted from the facility.

(c) As used in this permit condition, the term "regulated pollutant" is defined as a VOC, each pollutant regulated under Sections 111 and 112 of the Clean Air Act and each pollutant for which a National Ambient Air Quality Standard has been promulgated, except that carbon monoxide is excluded.

**SECTION B. General Title V Requirements**

(d) Late Payment. Late payment of emission fees will subject the permittee to the penalties prescribed in 25 Pa. Code § 127.707 and may result in the suspension or termination of the Title V permit. The permittee shall pay a penalty of fifty percent (50%) of the fee amount, plus interest on the fee amount computed in accordance with 26 U.S.C.A. § 6621(a)(2) from the date the emission fee should have been paid in accordance with the time frame specified in 25 Pa. Code § 127.705(c).

(e) The permittee shall pay an annual operating permit maintenance fee according to the following fee schedule established in 25 Pa. Code § 127.704(d) on or before December 31 of each year for the next calendar year.

(1) Eight thousand dollars (\$8,000) for calendar years 2021—2025.

(2) Ten thousand dollars (\$10,000) for calendar years 2026—2030.

(3) Twelve thousand five hundred dollars (\$12,500) for the calendar years beginning with 2031.

#019 [25 Pa. Code §§ 127.14(b) & 127.449]**Authorization for De Minimis Emission Increases**

(a) This permit authorizes de minimis emission increases from a new or existing source in accordance with 25 Pa. Code §§ 127.14 and 127.449 without the need for a plan approval or prior issuance of a permit modification. The permittee shall provide the Department with seven (7) days prior written notice before commencing any de minimis emissions increase that would result from either: (1) a physical change of minor significance under § 127.14(c)(1); or (2) the construction, installation, modification or reactivation of an air contamination source. The written notice shall:

(1) Identify and describe the pollutants that will be emitted as a result of the de minimis emissions increase.

(2) Provide emission rates expressed in tons per year and in terms necessary to establish compliance consistent with any applicable requirement.

The Department may disapprove or condition de minimis emission increases at any time.

(b) Except as provided below in (c) and (d) of this permit condition, the permittee is authorized during the term of this permit to make de minimis emission increases (expressed in tons per year) up to the following amounts without the need for a plan approval or prior issuance of a permit modification:

(1) Four tons of carbon monoxide from a single source during the term of the permit and 20 tons of carbon monoxide at the facility during the term of the permit.

(2) One ton of NO_x from a single source during the term of the permit and 5 tons of NO_x at the facility during the term of the permit.

(3) One and six-tenths tons of the oxides of sulfur from a single source during the term of the permit and 8.0 tons of oxides of sulfur at the facility during the term of the permit.

(4) Six-tenths of a ton of PM₁₀ from a single source during the term of the permit and 3.0 tons of PM₁₀ at the facility during the term of the permit. This shall include emissions of a pollutant regulated under Section 112 of the Clean Air Act unless precluded by the Clean Air Act or 25 Pa. Code Article III.

(5) One ton of VOCs from a single source during the term of the permit and 5.0 tons of VOCs at the facility during the term of the permit. This shall include emissions of a pollutant regulated under Section 112 of the Clean Air Act unless precluded by the Clean Air Act or 25 Pa. Code Article III.

(c) In accordance with § 127.14, the permittee may install the following minor sources without the need for a plan approval:

(1) Air conditioning or ventilation systems not designed to remove pollutants generated or released from other sources.

(2) Combustion units rated at 2,500,000 or less Btu per hour of heat input.

**SECTION B. General Title V Requirements**

(3) Combustion units with a rated capacity of less than 10,000,000 Btu per hour heat input fueled by natural gas supplied by a public utility, liquefied petroleum gas or by commercial fuel oils which are No. 2 or lighter, viscosity less than or equal to 5.82 c St, and which meet the sulfur content requirements of 25 Pa. Code § 123.22 (relating to combustion units). For purposes of this permit, commercial fuel oil shall be virgin oil which has no reprocessed, recycled or waste material added.

(4) Space heaters which heat by direct heat transfer.

(5) Laboratory equipment used exclusively for chemical or physical analysis.

(6) Other sources and classes of sources determined to be of minor significance by the Department.

(d) This permit does not authorize de minimis emission increases if the emissions increase would cause one or more of the following:

(1) Increase the emissions of a pollutant regulated under Section 112 of the Clean Air Act except as authorized in Subparagraphs (b)(4) and (5) of this permit condition.

(2) Subject the facility to the prevention of significant deterioration requirements in 25 Pa. Code Chapter 127, Subchapter D and/or the new source review requirements in Subchapter E.

(3) Violate any applicable requirement of the Air Pollution Control Act, the Clean Air Act, or the regulations promulgated under either of the acts.

(4) Changes which are modifications under any provision of Title I of the Clean Air Act and emission increases which would exceed the allowable emissions level (expressed as a rate of emissions or in terms of total emissions) under the Title V permit.

(e) Unless precluded by the Clean Air Act or the regulations thereunder, the permit shield described in 25 Pa. Code § 127.516 (relating to permit shield) shall extend to the changes made under 25 Pa. Code § 127.449 (relating to de minimis emission increases).

(f) Emissions authorized under this permit condition shall be included in the monitoring, recordkeeping and reporting requirements of this permit.

(g) Except for de minimis emission increases allowed under this permit, 25 Pa. Code § 127.449, or sources and physical changes meeting the requirements of 25 Pa. Code § 127.14, the permittee is prohibited from making physical changes or engaging in activities that are not specifically authorized under this permit without first applying for a plan approval. In accordance with § 127.14(b), a plan approval is not required for the construction, modification, reactivation, or installation of the sources creating the de minimis emissions increase.

(h) The permittee may not meet de minimis emission threshold levels by offsetting emission increases or decreases at the same source.

#020 [25 Pa. Code §§ 127.11a & 127.215]**Reactivation of Sources**

(a) The permittee may reactivate a source at the facility that has been out of operation or production for at least one year, but less than or equal to five (5) years, if the source is reactivated in accordance with the requirements of 25 Pa. Code §§ 127.11a and 127.215. The reactivated source will not be considered a new source.

(b) A source which has been out of operation or production for more than five (5) years but less than 10 years may be reactivated and will not be considered a new source if the permittee satisfies the conditions specified in 25 Pa. Code § 127.11a(b).

#021 [25 Pa. Code §§ 121.9 & 127.216]**Circumvention**

(a) The owner of this Title V facility, or any other person, may not circumvent the new source review requirements of 25 Pa. Code Chapter 127, Subchapter E by causing or allowing a pattern of ownership or development, including the

**SECTION B. General Title V Requirements**

phasing, staging, delaying or engaging in incremental construction, over a geographic area of a facility which, except for the pattern of ownership or development, would otherwise require a permit or submission of a plan approval application.

(b) No person may permit the use of a device, stack height which exceeds good engineering practice stack height, dispersion technique or other technique which, without resulting in reduction of the total amount of air contaminants emitted, conceals or dilutes an emission of air contaminants which would otherwise be in violation of this permit, the Air Pollution Control Act or the regulations promulgated thereunder, except that with prior approval of the Department, the device or technique may be used for control of malodors.

#022 [25 Pa. Code §§ 127.402(d) & 127.513(1)]**Submissions**

(a) Reports, test data, monitoring data, notifications and requests for renewal of the permit shall be submitted to the:

Regional Air Program Manager
PA Department of Environmental Protection
(At the address given on the permit transmittal letter, or otherwise notified)

(b) Any report or notification for the EPA Administrator or EPA Region III should be addressed to:

Enforcement & Compliance Assurance Division
Air, RCRA and Toxics Branch
Air Section
1650 Arch Street, 3ED21
Philadelphia, PA 19103

The Title V compliance certification shall be emailed to EPA at R3_APD_Permits@epa.gov.

(c) An application, form, report or compliance certification submitted pursuant to this permit condition shall contain certification by a responsible official as to truth, accuracy, and completeness as required under 25 Pa. Code § 127.402(d). Unless otherwise required by the Clean Air Act or regulations adopted thereunder, this certification and any other certification required pursuant to this permit shall state that, based on information and belief formed after reasonable inquiry, the statements and information in the document are true, accurate and complete.

#023 [25 Pa. Code §§ 127.441(c) & 127.463(e); Chapter 139; & 114(a)(3), 504(b) of the CAA]**Sampling, Testing and Monitoring Procedures**

(a) The permittee shall perform the emissions monitoring and analysis procedures or test methods for applicable requirements of this Title V permit. In addition to the sampling, testing and monitoring procedures specified in this permit, the Permittee shall comply with any additional applicable requirements promulgated under the Clean Air Act after permit issuance regardless of whether the permit is revised.

(b) The sampling, testing and monitoring required under the applicable requirements of this permit, shall be conducted in accordance with the requirements of 25 Pa. Code Chapter 139 unless alternative methodology is required by the Clean Air Act (including §§ 114(a)(3) and 504(b)) and regulations adopted thereunder.

#024 [25 Pa. Code §§ 127.511 & Chapter 135]**Recordkeeping Requirements**

(a) The permittee shall maintain and make available, upon request by the Department, records of required monitoring information that include the following:

- (1) The date, place (as defined in the permit) and time of sampling or measurements.
- (2) The dates the analyses were performed.
- (3) The company or entity that performed the analyses.
- (4) The analytical techniques or methods used.

**SECTION B. General Title V Requirements**

(5) The results of the analyses.

(6) The operating conditions as existing at the time of sampling or measurement.

(b) The permittee shall retain records of the required monitoring data and supporting information for at least five (5) years from the date of the monitoring sample, measurement, report or application. Supporting information includes the calibration data and maintenance records and original strip-chart recordings for continuous monitoring instrumentation, and copies of reports required by the permit.

(c) The permittee shall maintain and make available to the Department upon request, records including computerized records that may be necessary to comply with the reporting, recordkeeping and emission statement requirements in 25 Pa. Code Chapter 135 (relating to reporting of sources). In accordance with 25 Pa. Code Chapter 135, § 135.5, such records may include records of production, fuel usage, maintenance of production or pollution control equipment or other information determined by the Department to be necessary for identification and quantification of potential and actual air contaminant emissions. If direct recordkeeping is not possible or practical, sufficient records shall be kept to provide the needed information by indirect means.

#025 [25 Pa. Code §§ 127.411(d), 127.442, 127.463(e) & 127.511(c)]**Reporting Requirements**

(a) The permittee shall comply with the reporting requirements for the applicable requirements specified in this Title V permit. In addition to the reporting requirements specified herein, the permittee shall comply with any additional applicable reporting requirements promulgated under the Clean Air Act after permit issuance regardless of whether the permit is revised.

(b) Pursuant to 25 Pa. Code § 127.511(c), the permittee shall submit reports of required monitoring at least every six (6) months unless otherwise specified in this permit. Instances of deviations (as defined in 25 Pa. Code § 121.1) from permit requirements shall be clearly identified in the reports. The reporting of deviations shall include the probable cause of the deviations and corrective actions or preventative measures taken, except that sources with continuous emission monitoring systems shall report according to the protocol established and approved by the Department for the source. The required reports shall be certified by a responsible official.

(c) Every report submitted to the Department under this permit condition shall comply with the submission procedures specified in Section B, Condition #022(c) of this permit.

(d) Any records, reports or information obtained by the Department or referred to in a public hearing shall be made available to the public by the Department except for such records, reports or information for which the permittee has shown cause that the documents should be considered confidential and protected from disclosure to the public under Section 4013.2 of the Air Pollution Control Act and consistent with Sections 112(d) and 114(c) of the Clean Air Act and 25 Pa. Code § 127.411(d). The permittee may not request a claim of confidentiality for any emissions data generated for the Title V facility.

#026 [25 Pa. Code § 127.513]**Compliance Certification**

(a) One year after the date of issuance of the Title V permit, and each year thereafter, unless specified elsewhere in the permit, the permittee shall submit to the Department and EPA Region III a certificate of compliance with the terms and conditions in this permit, for the previous year, including the emission limitations, standards or work practices. This certification shall include:

- (1) The identification of each term or condition of the permit that is the basis of the certification.
- (2) The compliance status.
- (3) The methods used for determining the compliance status of the source, currently and over the reporting period.
- (4) Whether compliance was continuous or intermittent.

(b) The compliance certification shall be postmarked or hand-delivered no later than thirty days after each anniversary of the date of issuance of this Title V Operating Permit, or on the submittal date specified elsewhere in the permit, to the Department in accordance with the submission requirements specified in Section B, Condition #022 of this permit. The Title V compliance certification shall be emailed to EPA at R3_APD_Permits@epa.gov.

**SECTION B. General Title V Requirements****#027 [25 Pa. Code § 127.3]****Operational Flexibility**

The permittee is authorized to make changes within the Title V facility in accordance with the following provisions in 25 Pa. Code Chapter 127 which implement the operational flexibility requirements of Section 502(b)(10) of the Clean Air Act and Section 6.1(i) of the Air Pollution Control Act:

- (1) Section 127.14 (relating to exemptions)
- (2) Section 127.447 (relating to alternative operating scenarios)
- (3) Section 127.448 (relating to emissions trading at facilities with federally enforceable emissions caps)
- (4) Section 127.449 (relating to de minimis emission increases)
- (5) Section 127.450 (relating to administrative operating permit amendments)
- (6) Section 127.462 (relating to minor operating permit amendments)
- (7) Subchapter H (relating to general plan approvals and operating permits)

#028 [25 Pa. Code §§ 127.441(d), 127.512(i) and 40 CFR Part 68]**Risk Management**

(a) If required by Section 112(r) of the Clean Air Act, the permittee shall develop and implement an accidental release program consistent with requirements of the Clean Air Act, 40 CFR Part 68 (relating to chemical accident prevention provisions) and the Federal Chemical Safety Information, Site Security and Fuels Regulatory Relief Act (P.L. 106-40).

(b) The permittee shall prepare and implement a Risk Management Plan (RMP) which meets the requirements of Section 112(r) of the Clean Air Act, 40 CFR Part 68 and the Federal Chemical Safety Information, Site Security and Fuels Regulatory Relief Act when a regulated substance listed in 40 CFR § 68.130 is present in a process in more than the listed threshold quantity at the Title V facility. The permittee shall submit the RMP to the federal Environmental Protection Agency according to the following schedule and requirements:

- (1) The permittee shall submit the first RMP to a central point specified by EPA no later than the latest of the following:
 - (i) Three years after the date on which a regulated substance is first listed under § 68.130; or,
 - (ii) The date on which a regulated substance is first present above a threshold quantity in a process.

(2) The permittee shall submit any additional relevant information requested by the Department or EPA concerning the RMP and shall make subsequent submissions of RMPs in accordance with 40 CFR § 68.190.

(3) The permittee shall certify that the RMP is accurate and complete in accordance with the requirements of 40 CFR Part 68, including a checklist addressing the required elements of a complete RMP.

(c) As used in this permit condition, the term "process" shall be as defined in 40 CFR § 68.3. The term "process" means any activity involving a regulated substance including any use, storage, manufacturing, handling, or on-site movement of such substances or any combination of these activities. For purposes of this definition, any group of vessels that are interconnected, or separate vessels that are located such that a regulated substance could be involved in a potential release, shall be considered a single process.

(d) If the Title V facility is subject to 40 CFR Part 68, as part of the certification required under this permit, the permittee shall:

- (1) Submit a compliance schedule for satisfying the requirements of 40 CFR Part 68 by the date specified in 40 CFR § 68.10(a); or,
- (2) Certify that the Title V facility is in compliance with all requirements of 40 CFR Part 68 including the registration and submission of the RMP.

**SECTION B. General Title V Requirements**

(e) If the Title V facility is subject to 40 CFR Part 68, the permittee shall maintain records supporting the implementation of an accidental release program for five (5) years in accordance with 40 CFR § 68.200.

(f) When the Title V facility is subject to the accidental release program requirements of Section 112(r) of the Clean Air Act and 40 CFR Part 68, appropriate enforcement action will be taken by the Department if:

(1) The permittee fails to register and submit the RMP or a revised plan pursuant to 40 CFR Part 68.

(2) The permittee fails to submit a compliance schedule or include a statement in the compliance certification required under Section B, Condition #026 of this permit that the Title V facility is in compliance with the requirements of Section 112(r) of the Clean Air Act, 40 CFR Part 68, and 25 Pa. Code § 127.512(i).

#029 [25 Pa. Code § 127.512(e)]**Approved Economic Incentives and Emission Trading Programs**

No permit revision shall be required under approved economic incentives, marketable permits, emissions trading and other similar programs or processes for changes that are provided for in this Title V permit.

#030 [25 Pa. Code §§ 127.516, 127.450(d), 127.449(f) & 127.462(g)]**Permit Shield**

(a) The permittee's compliance with the conditions of this permit shall be deemed in compliance with applicable requirements (as defined in 25 Pa. Code § 121.1) as of the date of permit issuance if either of the following applies:

(1) The applicable requirements are included and are specifically identified in this permit.

(2) The Department specifically identifies in the permit other requirements that are not applicable to the permitted facility or source.

(b) Nothing in 25 Pa. Code § 127.516 or the Title V permit shall alter or affect the following:

(1) The provisions of Section 303 of the Clean Air Act, including the authority of the Administrator of the EPA provided thereunder.

(2) The liability of the permittee for a violation of an applicable requirement prior to the time of permit issuance.

(3) The applicable requirements of the acid rain program, consistent with Section 408(a) of the Clean Air Act.

(4) The ability of the EPA to obtain information from the permittee under Section 114 of the Clean Air Act.

(c) Unless precluded by the Clean Air Act or regulations thereunder, final action by the Department incorporating a significant permit modification in this Title V Permit shall be covered by the permit shield at the time that the permit containing the significant modification is issued.

#031 [25 Pa. Code §135.3]**Reporting**

(a) The permittee shall submit by March 1 of each year an annual emissions report for the preceding calendar year. The report shall include information for all active previously reported sources, new sources which were first operated during the preceding calendar year, and sources modified during the same period which were not previously reported. All air emissions from the facility should be estimated and reported.

(b) A source owner or operator may request an extension of time from the Department for the filing of an annual emissions report, and the Department may grant the extension for reasonable cause.

#032 [25 Pa. Code §135.4]**Report Format**

Emissions reports shall contain sufficient information to enable the Department to complete its emission inventory. Emissions reports shall be made by the source owner or operator in a format specified by the Department.

**SECTION C. Site Level Requirements****I. RESTRICTIONS.****Emission Restriction(s).****# 001 [25 Pa. Code §123.1]****Prohibition of certain fugitive emissions**

No person may permit the emission into the outdoor atmosphere of a fugitive air contaminant from a source other than the following:

- (1) Construction or demolition of buildings or structures
- (2) Grading, paving and maintenance of roads and streets
- (3) Use of roads and streets. Emissions from material in or on trucks, railroad cars and other vehicular equipment are not considered as emissions from use of roads and streets.
- (4) Clearing of land
- (5) Stockpiling of materials.
- (6) Open burning operations.
- (7) Blasting in open pit mines. Emissions from drilling are not considered as emissions from blasting.
- (8) Sources and classes of sources other than those identified above, for which the permittee has obtained a determination from the Department that fugitive emissions from the source, after appropriate control, meet the following requirements:
 - (a) The emissions are of minor significance with respect to causing air pollution.
 - (b) The emissions are not preventing or interfering with the attainment or maintenance of an ambient air quality standard.

002 [25 Pa. Code §123.2]**Fugitive particulate matter**

No person may permit fugitive particulate matter to be emitted into the outdoor atmosphere from a source specified in (1) through (8) of Condition #001 above if the emissions are visible at the point the emissions pass outside the person's property.

003 [25 Pa. Code §123.41]**Limitations**

No person may permit the emission into the outdoor atmosphere of visible air contaminants in such a manner that the opacity of the emission is either of the following:

- (1) Equal to or greater than 20% for a period or periods aggregating more than three minutes in any 1 hour.
- (2) Equal to or greater than 60% at any time.

004 [25 Pa. Code §123.42]**Exceptions**

The emission limitations of 25 Pa. Code Section 123.41 shall not apply when:

- (1) The presence of uncombined water is the only reason for failure of the emission to meet the limitations;
- (2) The emission results from the operation of equipment used solely to train and test persons in observing the opacity of visible emissions.
- (3) The emission results from sources specified in 25 Pa. Code Section 123.1(a)(1)-(9) (relating to prohibition of certain fugitive emissions).

**SECTION C. Site Level Requirements****II. TESTING REQUIREMENTS.****# 005 [25 Pa. Code §127.441]****Operating permit terms and conditions.**

[Additional authority for this permit condition is derived from 25 Pa. Code Section 127.511]

(a) The permittee shall perform tests or obtain a fuel certification report of the percent sulfur by weight of each delivery of #2 oil for all stationary air contaminant sources at the facility that combust this type of fuel. OR The permittee shall keep records of fuel certification reports obtained yearly from the #2 fuel oil supplier containing the name of the supplier and stating that the sulfur percentage for each shipment of fuel delivered to the facility for the stationary air contaminant sources during the year shall not exceed 0.05% by weight.

(b) All testing and certification reports shall be in accordance with the provisions of 25 Pa. Code Chapter 139.

006 [25 Pa. Code §127.441]**Operating permit terms and conditions.**

[Additional authority for this permit condition is derived from 25 Pa. Code Section 127.511]

(a) Pursuant to 25 Pa. Code § 139.3, at least 90 calendar days prior to commencing a EPA reference method testing program, a test protocol shall be submitted to the Department for review and approval. The test protocol shall meet all applicable requirements specified in the most current version of the Department's Source Testing Manual.

(b) Pursuant to 25 Pa. Code § 139.3, at least 15 calendar days prior to commencing an emission testing program, notification as to the date and time of testing shall be given to the appropriate Regional Office. Notification shall also be sent to the Division of Source Testing and Monitoring. Notification shall not be made without prior receipt of a protocol acceptance letter from the Department.

(c) Pursuant to 40 CFR § 60.8(a), 40 CFR § 61.13(f) and 40 CFR § 63.7(g), complete test reports shall be submitted to the Department no later than 60 calendar days after completion of the on-site testing portion of an EPA reference method test program.

(d) Pursuant to 25 Pa. Code § 139.53(b) a complete test report shall include a summary of the emission results on the first page of the report indicating if each pollutant measured is within permitted limits and a statement of compliance or noncompliance with all applicable permit conditions. The summary results will include, at a minimum, the following information:

1. A statement that the owner or operator has reviewed the report from the emissions testing body and agrees with the findings.
2. Permit number(s) and condition(s) which are the basis for the evaluation.
3. Summary of results with respect to each applicable permit condition.
4. Statement of compliance or non-compliance with each applicable permit condition.

(e) Pursuant to 25 Pa. Code § 139.3, all submittals shall meet all applicable requirements specified in the most current version of the Department's Source Testing Manual.

(f) All testing shall be performed in accordance with the provisions of Chapter 139 of the Rules and Regulations of the Department of Environmental Protection.

(g) Pursuant to 25 Pa. Code §§ 139.53(a)(1) and 139.53(a)(3), two (2) copies of the submittal shall be sent to the Pennsylvania Department of Environmental Protection, Northcentral Regional Office, Air Quality Program Manager, 208 West Third Street, Suite 101, Williamsport PA, 17701 with deadlines verified through document postmarks.

(h) The permittee shall ensure all federal reporting requirements contained in the applicable subpart of 40 CFR are followed, including timelines more stringent than those contained herein. In the event of an inconsistency or any conflicting requirements between state and the federal, the most stringent provision, term, condition, method or rule shall be used by default.

**SECTION C. Site Level Requirements****# 007 [25 Pa. Code §139.1]****Sampling facilities.**

Upon the request of the Department, the permittee shall provide adequate sampling ports, safe sampling platforms, and adequate utilities for the performance by the Department of tests on a source. The Department will set forth, in the request, the time period in which the facilities shall be provided as well as the specifications for such facilities.

008 [25 Pa. Code §139.11]**General requirements.**

(a) As specified in 25 Pa. Code Section 139.11(1), performance tests shall be conducted while the source is operating at maximum routine operating conditions or under such other conditions, within the capacity of the equipment, as may be requested by the Department.

(b) As specified in 25 Pa. Code Section 139.11(2), the Department will consider test results for approval where sufficient information is provided to verify the respective source conditions existing at the time of the test and where adequate data is available to show the manner in which the test was conducted. Information submitted to the Department shall include, as a minimum, all of the following:

- (1) A thorough source description, including a description of any air cleaning devices and the flue.
- (2) Process conditions, for example, the charging rate of raw material or rate of production of final product, boiler pressure, oven temperature, and other conditions which may affect emissions from the process.
- (3) The location of sampling ports.
- (4) Effluent characteristics, including velocity, temperature, moisture content, gas density (percentage of CO, CO₂, O₂ and N₂), static and barometric pressures.
- (5) Sample collection techniques employed, including procedures used, equipment descriptions, and data to verify that isokinetic sampling for particulate matter collection occurred and that acceptable test conditions were met.
- (6) Laboratory procedures and results.
- (7) Calculated results.

III. MONITORING REQUIREMENTS.**# 009 [25 Pa. Code §123.43]****Measuring techniques**

Visible emissions may be measured using either of the following:

- (1) A device approved by the Department and maintained to provide accurate opacity measurements.
- (2) Observers, trained and qualified to measure plume opacity with the naked eye or with the aid of any devices approved by the Department.

010 [25 Pa. Code §127.441]**Operating permit terms and conditions.**

[Additional authority for this permit condition is derived from 25 Pa. Code Section 127.511]

(a) The permittee shall conduct a daily inspection during regular business workdays (defined as Mondays through Fridays, except for national holidays) around the plant periphery during daylight hours when the plant is in production to detect visible emissions, fugitive particulate matter emissions, and malodorous air contaminants. Daily inspections are necessary to determine:

- (1) the presence of visible emissions.
- (2) the presence of visible fugitive emissions.
- (3) the presence of malodors beyond the boundaries of the facility.

**SECTION C. Site Level Requirements**

(b) All detected visible emissions, visible fugitive emissions or malodors that have the potential to exceed applicable limits shall be reported to the manager of the facility.

IV. RECORDKEEPING REQUIREMENTS.**# 011 [25 Pa. Code §127.441]****Operating permit terms and conditions.**

[Additional authority for this permit condition is derived from 25 Pa. Code Section 127.511]

(a) The permittee shall keep test analyses or fuel oil certifications to verify compliance with the 0.05% by weight sulfur content limitation, of the #2 fuel oil used at the facility.

(b) These records shall be retained for a minimum of five (5) years and shall be made available to the Department upon request.

012 [25 Pa. Code §127.441]**Operating permit terms and conditions.**

[Additional authority for this permit condition is derived from 25 Pa. Code Section 127.511]

(a) The permittee shall maintain a logbook of the daily facility inspections performed. The logbook shall include the name of the company representative performing the daily inspection, the date and time of inspections, any instances of exceedances of visible emissions limitations, visible fugitive emissions limitations and malodorous air emissions limitations, and the name of the manager informed if a potential exceedance is observed. The permittee shall also record any and all corrective action(s) taken to abate each recorded deviation to prevent future occurrences.

(b) These records shall be retained for a minimum of 5 years and shall be made available to the Department upon request.

013 [25 Pa. Code §135.5]**Recordkeeping**

(a) The permittee shall maintain such records, including computerized records, as may be necessary to comply with 25 Pa. Code Section 135.3. These may include records of production, fuel usage, equipment maintenance or other information determined by the Department to be necessary for identification and quantification of air contaminant emissions.

(b) Any records maintained pursuant to this condition shall be retained for at least 5 years and shall be shown to the Department upon request.

V. REPORTING REQUIREMENTS.**# 014 [25 Pa. Code §127.441]****Operating permit terms and conditions.**

The permittee shall submit all requested reports in accordance with the Department's suggested format.

015 [25 Pa. Code §127.441]**Operating permit terms and conditions.**

The permittee shall forward the annual compliance certification and semi-annual (if required) Title V reports to U.S. EPA electronically, in lieu of a hard copy version, to the following email address: 'R3_APD_Permits@epa.gov'. Please place the following in the subject line: TV [permit number], [Facility Name].

016 [25 Pa. Code §127.442]**Reporting requirements.**

[Additional authority for this permit condition is derived from 25 Pa. Code Section 127.511]

(a) The permittee shall report malfunctions to the Department. A malfunction is any sudden, infrequent, and not reasonably preventable failure of air pollution control equipment, process equipment, or a process to operate in a normal or usual manner. Failures that are caused in part by poor maintenance or careless operation are not malfunctions.

**SECTION C. Site Level Requirements**

(b) Failures that are caused in part by poor maintenance or careless operation shall be reported as excess emissions or deviations from the operating permit requirements.

(c) When the malfunction, excess emissions or deviation from this operating permit requirements poses an imminent danger to the public health, safety, welfare, or environment shall be reported by telephone to the Department and the County Emergency Management Agency within one (1) hour after the incident. The owner or operator shall submit a written report of instances of such incidents to the Department within three (3) business days of the telephone report.

(d) Except as reported to the Department in accordance with 25 Pa. Code Chapter 139 and the Department's Continuous Source Monitoring Manual, any malfunction or excess emissions that is not subject to the notice requirements of subsection (c) of this operating permit condition shall be reported to the Department within 24 hours of discovery or the next business day. In notifying the Department, the permittee shall describe the following:

- (i) name and location of the facility;
- (ii) nature and cause of the malfunction or breakdown;
- (iii) time when the malfunction or breakdown was first observed;
- (iv) expected duration of excess emissions;
- (v) estimated rate of emissions; and
- (vi) corrective actions or preventative measures taken.

(e) The permittee shall notify the Department immediately when corrective measures have been accomplished.

(f) Upon the request of the Department, the permittee shall submit a full written report to the Regional Air Program Manager within 15 days of the malfunction, excess emissions or deviation from the operating permit requirements.

017 [25 Pa. Code §135.21]**Emission statements**

(a) The permittee shall provide the Department with a statement of each stationary source in a form as prescribed by the Department, showing the actual emissions of oxides of nitrogen and volatile organic compounds (VOCs) from the permitted facility for each reporting period, a description of the method used to calculate the emissions and the time period over which the calculation is based.

(b) The annual emission statements are due by March 1 for the preceding calendar year and shall contain a certification by a company officer or the plant manager that the information contained in the statement is accurate. The Emission Statement shall provide data consistent with requirements and guidance developed by the EPA.

(c) The Department may require more frequent submittals if the Department determines that one or more of the following applies:

(1) A more frequent submission is required by the EPA.

(2) Analysis of the data on a more frequent basis is necessary to implement the requirements of the Air Pollution Control Act.

018 [25 Pa. Code §135.3]**Reporting**

(a) A person who owns or operates a source to which 25 Pa. Code Chapter 135 applies, and who has previously been advised by the Department to submit a source report, shall submit by March 1 of each year an Annual Air Information Management Systems (AIMS) Emissions report for the preceding calendar year. The report shall include information for all previously reported sources, new sources which were first operated during the preceding calendar year and sources modified during the same period which were not previously reported.

(b) A person who receives initial notification by the Department that a Annual Air Information Management Systems (AIMS) Emissions report is necessary, shall submit an initial Annual Air Information Management Systems (AIMS) Emissions report within sixty (60) days after receiving the notification or by March 1 of the year following the year for which the report is required, whichever is later.

**SECTION C. Site Level Requirements**

(c) A source owner or operator may request an extension of time from the Department for the filing of a source report, and the Department may grant the extension for reasonable cause.

VI. WORK PRACTICE REQUIREMENTS.**# 019 [25 Pa. Code §123.1]****Prohibition of certain fugitive emissions**

For any source specified in (1) through (8) in Site Level Condition #001 herein, the permittee shall take all reasonable actions to prevent particulate matter from becoming airborne. These actions shall include, but not be limited to, the following:

- (1) Use, where possible, of water or chemicals for control of dust in the demolition of buildings or structures, construction operations, the grading of roads, or the clearing of land.
- (2) Application of asphalt, oil, or suitable chemicals on dirt roads, material stockpiles, and other surfaces which may give rise to airborne dusts.
- (3) Paving and maintenance of roadways.
- (4) Prompt removal of earth or other material from paved streets onto which earth or other material has been transported by trucking or earth moving equipment, erosion by water, or other means.

VII. ADDITIONAL REQUIREMENTS.**# 020 [25 Pa. Code §121.7]****Prohibition of air pollution.**

No person may permit air pollution as that term is defined in the act (The Air Pollution Control Act (35 P.S. §§ 4001-4015)).

021 [25 Pa. Code §123.31]**Limitations**

A person may not permit the emission into the outdoor atmosphere of any malodorous air contaminants from any source in such a manner that the malodors are detectable outside the property of the person on whose land the source is being operated.

022 [25 Pa. Code §129.14]**Open burning operations**

No person may permit the open burning of material at this facility unless in accordance with 25 Pa. Code Section 129.14.

VIII. COMPLIANCE CERTIFICATION.

No additional compliance certifications exist except as provided in other sections of this permit including Section B (relating to Title V General Requirements).

IX. COMPLIANCE SCHEDULE.

No compliance milestones exist.

***** Permit Shield In Effect *****

**SECTION D. Source Level Requirements**

Source ID: 031

Source Name: CE BOILER - UNIT 1

Source Capacity/Throughput: 7,317.000 MMBTU/HR

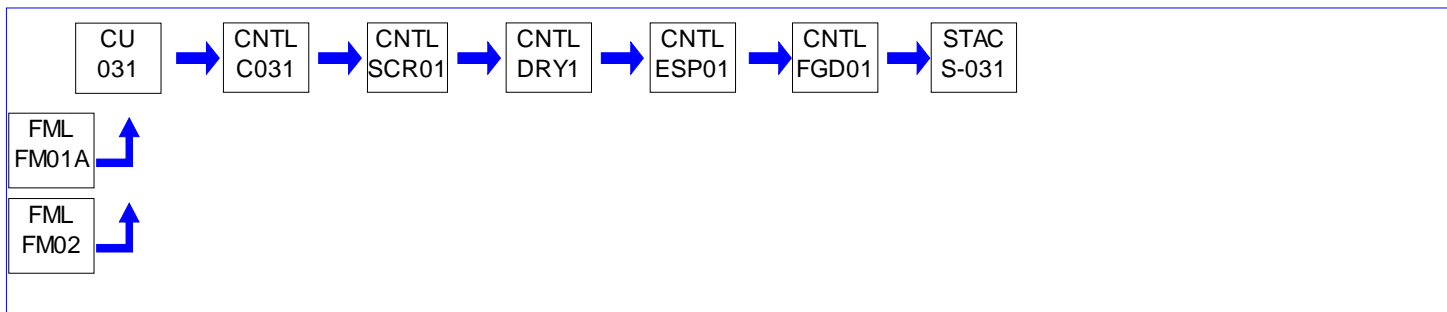
266.200 Tons/HR

Bituminous

8,930.000 Gal/HR

#2 Oil

Conditions for this source occur in the following groups: ACID RAIN
CAM
CEMS
CSAPR
MATS RULE
RACT2

**I. RESTRICTIONS.****Emission Restriction(s).****# 001 [25 Pa. Code §123.11]****Combustion units**

[Additional authority for this permit condition is also derived from 25 Pa. Code §139.12]

No person may permit the emission into the outdoor atmosphere of filterable particulate matter from the exhaust of Source ID 031 after the associated control device(s) in excess of 0.1 pound per million Btu of heat input.

002 [25 Pa. Code §123.22]**Combustion units**

(a) No person may permit the emission into the outdoor atmosphere of sulfur oxides, expressed as SO₂, from Source ID 031 in excess of the rate of 4 pounds per million Btu of heat input over any 1-hour period when firing #2 fuel oil.

(b) No person may permit the emission into the outdoor atmosphere of sulfur oxides, expressed as SO₂, from Source ID 031 in excess of the following rates when firing solid fossil fuels:

Thirty-day running average not to be exceeded at any time	3.7 lbs./10 ⁶ Btu heat input
---	---

Daily average not to be exceeded more than 2 days in any running 30-day period	4.0 lbs./10 ⁶ Btu heat input
--	---

Daily average not to be exceeded at any time	4.8 lbs./10 ⁶ Btu heat input
--	---

003 [25 Pa. Code §127.441]**Operating permit terms and conditions.**

Pursuant to 25 Pa. Code Section 121.7, the emission of sulfur oxides (expressed as sulfur dioxide) from the CE boiler associated with Source ID 031 shall not exceed 0.85 pounds per million Btu of heat input (3-hour block average).

**SECTION D. Source Level Requirements****# 004 [25 Pa. Code §127.441]****Operating permit terms and conditions.**

[Additional authority for this permit condition is also derived from 40 CFR Section 76.5(a)(1)]

[Compliance with the part (a) of this permit condition will assure compliance with part (b) of this permit condition]

(a) The nitrogen oxides emissions (NO_x, expressed as NO₂) from Source ID 031 shall not exceed 0.40 pounds per million BTU of heat input on an annual average basis.

[Additional authority for this permit condition is derived from 25 Pa. Code Sections 129.91 through 129.95]

(b) The nitrogen oxides emissions (NO_x, expressed as NO₂) from Source ID 031 shall not exceed the following limitations:

(i) 0.45 pounds per million BTU of heat input on an annual average basis.

(ii) 0.50 pounds per million BTU of heat input based on a 30 day rolling average.

005 [25 Pa. Code §127.441]**Operating permit terms and conditions.**

[Additional authority for this permit condition is derived the provisions specified in 40 CFR 52.21(a)(2)]

The emission of sulfuric acid mist from Source ID 031 shall not exceed the following;

(i) 0.018 lb/MMBtu (12-month rolling average)

(ii) 577 tons in any 12 consecutive month period.

Fuel Restriction(s).**# 006 [25 Pa. Code §127.441]****Operating permit terms and conditions.**

[Additional authority for this permit condition is derived from 25 Pa. Code Section 127.511]

Source ID 031 shall only be fired on the following fuels:

1) Pulverized bituminous coal

2) No. 2 fuel oil

II. TESTING REQUIREMENTS.**# 007 [25 Pa. Code §127.441]****Operating permit terms and conditions.**

(a) An EPA reference method testing program to verify compliance with the applicable sulfuric acid mist emission limitation for Source ID 031 shall be conducted on an approximate annual basis, but in each shall be no less than 10 months and no more than 14 months following the date of the most recent EPA reference method testing program.

(b) Only one (1) conveyance line associated with ID DRY1 shall be utilized during the EPA reference method testing program conducted to verify compliance with the applicable Sulfuric Acid Mist emission limitation for Source ID 031.

(c) Within 180 days of the date of a switch in sorbent for ID DRY1, the permittee shall conduct an EPA reference method testing program in accordance with the requirements herein.

**SECTION D. Source Level Requirements****III. MONITORING REQUIREMENTS.****# 008 [25 Pa. Code §127.441]****Operating permit terms and conditions.**

[Additional authority for this permit condition is also derived from 25 Pa. Code Sections 127.411(a)(11) and 127.512(h)]

The permittee shall monitor the daily total DC power average to each field of control device ID ESP01.

009 [25 Pa. Code §127.441]**Operating permit terms and conditions.**

The permittee shall continuously monitor the hourly DSI injection rates for ID DRY1 to verify the device is properly functioning and providing adequate control of sulfuric acid mist emissions.

IV. RECORDKEEPING REQUIREMENTS.**# 010 [25 Pa. Code §127.441]****Operating permit terms and conditions.**

[Additional authority for this permit condition is derived from 25 Pa. Code Sections 129.95 and 127.511]

(a) The permittee shall keep records in accordance with the recordkeeping requirements of 25 Pa. Code 129.95.

(b) The permittee shall keep records of all nitrogen oxides emission data generated using the continuous nitrogen oxides emission monitoring systems required by this permit.

(c) The permittee shall keep records of all stack test data generated for Source ID 031.

(d) The permittee shall keep records, including data which clearly demonstrates that the NOx emissions limits for Source ID 031 are met.

(e) The permittee shall keep records of the data and calculations used to verify compliance with the particulate matter and sulfur oxides emissions limitations for Source ID 031.

(f) The permittee shall keep records of the daily total DC power average to each field of control device ID ESP01.

(g) Records shall be retained for a minimum of 5 years and shall be made available to the Department upon request.

011 [25 Pa. Code §127.441]**Operating permit terms and conditions.**

(a) The permittee shall keep accurate and comprehensive records of the testing and monitoring data that demonstrates conformance with the sulfuric acid mist emissions limitations herein.

(1) The records shall include but are not limited to the annual stack test reports, the hourly DSI injection rates for ID DRY1, and the monthly calculations that verify compliance with the sulfuric acid mist emission limitations herein.

(b) Pursuant to 40 CFR 70.6(a)(3), the data records above shall be kept for a period of at least five (5) years from the date of the monitoring sample is taken including support information which includes all calibration and maintenance records associated with the continuous monitoring instrumentation.

V. REPORTING REQUIREMENTS.

No additional reporting requirements exist except as provided in other sections of this permit including Section B (Title V General Requirements) and/or Section E (Source Group Restrictions).

VI. WORK PRACTICE REQUIREMENTS.

No additional work practice requirements exist except as provided in other sections of this permit including Section B (Title V General Requirements) and/or Section E (Source Group Restrictions).

**SECTION D. Source Level Requirements****VII. ADDITIONAL REQUIREMENTS.****# 012 [25 Pa. Code §127.441]****Operating permit terms and conditions.**

The nitrogen oxides and sulfur oxides emission monitoring systems shall be capable of monitoring the nitrogen oxides and sulfur oxides emission rates expressed in pounds per million Btu of heat input as well as in pounds per hour. They shall also be capable of monitoring the total emissions of the respective air contaminant from the CE boiler associated with Source ID 031 in any 12 consecutive month period (expressed in tons per year).

013 [25 Pa. Code §127.441]**Operating permit terms and conditions.**

(a) Source ID 031 is a 1971 vintage model SCRRDP Combustion Engineering tangentially-fired boiler equipped with separated overfire air (Unit 1). Source ID 031 shall be equipped with 48 ABB LNCFS Level III low NOx burners (ID C031) to control NOx emissions.

(b) The particulate emissions from this source shall be controlled by a custom designed Wheelabrator electrostatic precipitator (ID ESP01). Source ID 031 is also equipped with a D.B. Reilly selective catalytic reduction system (ID SCR01) to control NOx emissions.

(c) The sulfuric acid mist emissions from this source shall be controlled by ID DRY1.

(d) The sulfur dioxide emissions from this source shall be controlled by a flue gas desulfurization system using wet limestone with in-situ forced oxidation.

014 [25 Pa. Code §127.441]**Operating permit terms and conditions.**

(a) ID DRY1 consists of the dry injection system including all ancillary equipment (i.e. blower packs, dehumidiers, conveyance lines and line headers, lances, etc.) that are necessary to deliver the sorbent into the flue gas of Source ID 031 at the outlet to the air heater.

(b) When one (1) of the two (2) conveyance lines associated with ID DRY1 is not functioning properly, ID DRY1 shall minimize the sulfuric acid mist emissions from Source ID 031 to a rate no greater than 0.018 lb/MMBtu.

015 [25 Pa. Code §127.441]**Operating permit terms and conditions.**

Boiler tube cleaning wastes may be incinerated/evaporated in Source ID 031 provided that the wastes result only from the use of non-hazardous (HAP) and non-VOC containing cleaning rinses or solutions (HCL cleaning wastes shall not be incinerated/evaporated).

***** Permit Shield in Effect. *****

**SECTION D. Source Level Requirements**

Source ID: 032

Source Name: CE BOILER - UNIT 2

Source Capacity/Throughput: 7,239.000 MMBTU/HR

8,930.000 Gal/HR

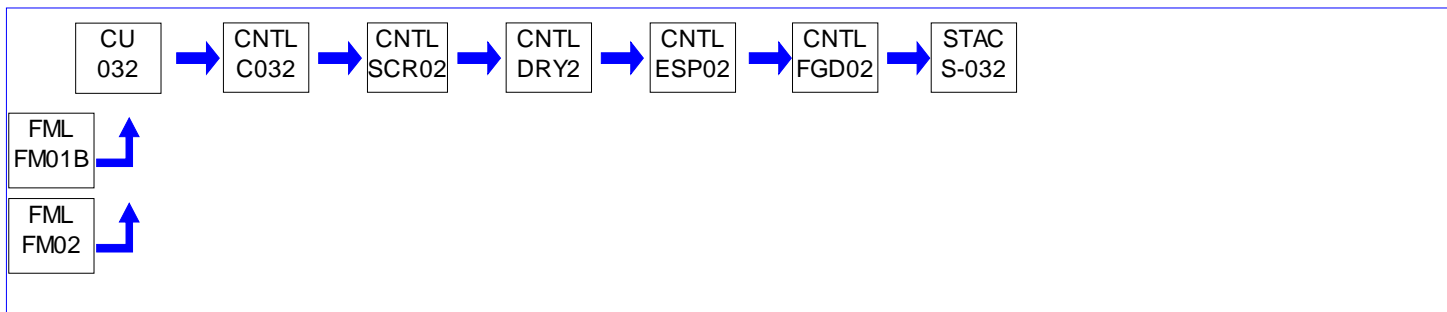
#2 Oil

264.100 Tons/HR

Bituminous

Conditions for this source occur in the following groups:

- ACID RAIN
- CAM
- CEMS
- CSAPR
- MATS RULE
- RACT2

**I. RESTRICTIONS.****Emission Restriction(s).****# 001 [25 Pa. Code §123.11]****Combustion units**

[Additional authority for this permit condition is also derived from 25 Pa. Code §139.12]

No person may permit the emission into the outdoor atmosphere of filterable particulate matter from the exhaust of Source ID 032 after the associated control device(s) in excess of 0.1 pound per million Btu of heat input.

002 [25 Pa. Code §123.22]**Combustion units**

(a) No person may permit the emission into the outdoor atmosphere of sulfur oxides, expressed as SO₂, from Source ID 032 in excess of the rate of 4 pounds per million Btu of heat input over any 1-hour period when firing #2 fuel oil.

(b) No person may permit the emission into the outdoor atmosphere of sulfur oxides, expressed as SO₂, from Source ID 032 in excess of the following rates when firing solid fossil fuels:

Thirty-day running average not to be exceeded at any time	3.7 lbs./10 ⁶ Btu heat input
---	---

Daily average not to be exceeded more than 2 days in any running 30-day period	4.0 lbs./10 ⁶ Btu heat input
--	---

Daily average not to be exceeded at any time	4.8 lbs./10 ⁶ Btu heat input
--	---

003 [25 Pa. Code §127.441]**Operating permit terms and conditions.**

[Additional authority for this permit condition is also derived from 40 CFR Section 76.5(a)(1)]

[Compliance with the part (a) of this permit condition will assure compliance with part (b) of this permit condition]

**SECTION D. Source Level Requirements**

(a) The nitrogen oxides emissions (NO_x, expressed as NO₂) from Source ID 032 shall not exceed 0.40 pounds per million BTU of heat input on an annual average basis.

[Additional authority for this permit condition is derived from 25 Pa. Code Sections 129.91 through 129.95]

(b) The nitrogen oxides emissions (NO_x, expressed as NO₂) from Source ID 032 shall not exceed the following limitations:

(i) 0.45 pounds per million BTU of heat input on an annual average basis.

(ii) 0.50 pounds per million BTU of heat input based on a 30 day rolling average.

004 [25 Pa. Code §127.441]**Operating permit terms and conditions.**

Pursuant to 25 Pa. Code Section 121.7, the emission of sulfur oxides (expressed as sulfur dioxide) from the CE boiler associated with Source ID 032 shall not exceed 0.85 pounds per million Btu of heat input (3-hour block average).

005 [25 Pa. Code §127.441]**Operating permit terms and conditions.**

[Additional authority for this permit condition is derived the provisions specified in 40 CFR 52.21(a)(2)]

The emission of sulfuric acid mist from Source ID 032 shall not exceed the following;

(i) 0.018 lb/MMBtu (12-month rolling average)

(ii) 571 tons in any 12 consecutive month period.

Fuel Restriction(s).**# 006 [25 Pa. Code §127.441]****Operating permit terms and conditions.**

[Additional authority for this permit condition is derived from 25 Pa. Code Section 127.511]

Source ID 032 may be fired only on the following fuels:

1) Pulverized bituminous coal.

2) No. 2 fuel oil.

II. TESTING REQUIREMENTS.**# 007 [25 Pa. Code §127.441]****Operating permit terms and conditions.**

(a) An EPA reference method testing program to verify compliance with the applicable sulfuric acid mist emission limitation for Source ID 032 shall be conducted on an approximate annual basis, but in each shall be no less than 10 months and no more than 14 months following the date of the most recent EPA reference method testing program.

(b) Only one (1) conveyance line associated with ID DRY2 shall be utilized during the EPA reference method testing program conducted to verify compliance with the applicable Sulfuric Acid Mist emission limitation for Source ID 032.

(c) Within 180 days of the date of a switch in sorbent for ID DRY2, the permittee shall conduct an EPA reference method testing program in accordance with the requirements herein.

III. MONITORING REQUIREMENTS.**# 008 [25 Pa. Code §127.441]****Operating permit terms and conditions.**

[Additional authority for this permit condition is also derived from 25 Pa. Code Sections 127.411(a)(11) and 127.512(h)]

The permittee shall monitor the daily total DC power average to each field of control device ID ESP02.

**SECTION D. Source Level Requirements****# 009 [25 Pa. Code §127.441]****Operating permit terms and conditions.**

The permittee shall continuously monitor the hourly DSI injection rates for ID DRY2 to verify the device is properly functioning and providing adequate control of sulfuric acid mist emissions.

IV. RECORDKEEPING REQUIREMENTS.**# 010 [25 Pa. Code §127.441]****Operating permit terms and conditions.**

[Additional authority for this permit condition is derived from 25 Pa. Code Sections 129.95 and 127.511]

- (a) The permittee shall keep records in accordance with the recordkeeping requirements of 25 Pa. Code 129.95.
- (b) The permittee shall keep records of all nitrogen oxides emission data generated using the continuous nitrogen oxides emission monitoring systems required by this permit.
- (c) The permittee shall keep records of all stack test data generated for Source ID 032.
- (d) The permittee shall keep records, including data which clearly demonstrates that the NOx emissions limits for Source ID 032 are met.
- (e) The permittee shall keep records of the data and calculations used to verify compliance with the particulate matter and sulfur oxides emissions limitations for Source ID 032.
- (f) The permittee shall keep records of the daily total DC power average to each field of control device ID ESP02.
- (g) Records shall be retained for a minimum of 5 years and shall be made available to the Department upon request.

011 [25 Pa. Code §127.441]**Operating permit terms and conditions.**

- (a) The permittee shall keep accurate and comprehensive records of the testing and monitoring data that demonstrates conformance with the sulfuric acid mist emissions limitations herein.
 - (1) The records shall include but are not limited to the annual stack test reports, the hourly DSI injection rates for ID DRY2, and the monthly calculations that verify compliance with the sulfuric acid mist emission limitations herein.
- (b) Pursuant to 40 CFR 70.6(a)(3), the data records above shall be kept for a period of at least five (5) years from the date of the monitoring sample is taken including support information which includes all calibration and maintenance records associated with the continuous monitoring instrumentation.

V. REPORTING REQUIREMENTS.

No additional reporting requirements exist except as provided in other sections of this permit including Section B (Title V General Requirements) and/or Section E (Source Group Restrictions).

VI. WORK PRACTICE REQUIREMENTS.

No additional work practice requirements exist except as provided in other sections of this permit including Section B (Title V General Requirements) and/or Section E (Source Group Restrictions).

VII. ADDITIONAL REQUIREMENTS.**# 012 [25 Pa. Code §127.441]****Operating permit terms and conditions.**

[Additional authority for this permit condition is derived from Condition #9 of Plan Approval 47-00001B]

**SECTION D. Source Level Requirements**

The nitrogen oxides and sulfur oxides emission monitoring systems shall be capable of monitoring the nitrogen oxides and sulfur oxides emission rates expressed in pounds per million Btu of heat input as well as in pound per hour. They shall also be capable of monitoring the total emission of the respective air contaminant from the CE boiler associated with Source ID 032 in any 12 consecutive month period (expressed in tons per year).

013 [25 Pa. Code §127.441]**Operating permit terms and conditions.**

(a) Source ID 032 is a 1973 vintage model SCRRDP Combustion Engineering tangentially-fired boiler equipped with separated overfire air (Unit #2). Source ID 032 shall be equipped with 48 ABB LNCFS Level III low NOx burners (ID C032) to control NOx emissions.

(b) The particulate emissions from this source shall be controlled by a custom designed Wheelabrator electrostatic precipitator (ID ESP02). Source ID 032 is also equipped with a D.B Reilly selective catalytic reduction system (ID SCR02) to control NOx emissions.

(c) The sulfuric acid mist emissions from this source shall be controlled by ID DRY2.

(d) The sulfur dioxide emissions from this source shall be controlled by a flue gas desulfurization system using wet limestone with in-situ forced oxidation.

014 [25 Pa. Code §127.441]**Operating permit terms and conditions.**

(a) ID DRY2 consists of the dry injection system including all ancillary equipment (i.e. blower packs, dehumidiers, conveyance lines and line headers, lances, etc.) that are necessary to deliver the sorbent into the flue gas of Source ID 032 at the outlet to the air heater.

(b) When one (1) of the two (2) conveyance lines associated with ID DRY2 is not functioning properly, ID DRY2 shall minimize the sulfuric acid mist emissions from Source ID 032 to a rate no greater than 0.018 lb/MMBtu.

015 [25 Pa. Code §127.441]**Operating permit terms and conditions.**

Boiler tube cleaning wastes may be incinerated/evaporated in Source ID 032 provided that the wastes result only from the use of non-hazardous (HAP) and non-VOC containing cleaning rinses or solutions (HCL cleaning wastes shall not be incinerated/evaporated).

*** Permit Shield in Effect. ***

**SECTION D. Source Level Requirements**

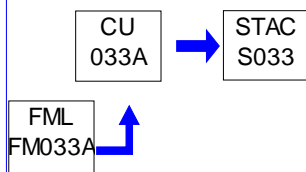
Source ID: 033A

Source Name: AUXILIARY BOILER 11A

Source Capacity/Throughput: 249.900 MMBTU/HR

1,800.000 Gal/HR

#2 OIL (0.05% SULFUR)

**I. RESTRICTIONS.****Emission Restriction(s).****# 001 [25 Pa. Code §127.441]****Operating permit terms and conditions.**

[Compliance with this streamlined permit condition will assure compliance with the limitations specified in 40 CFR §60.43b, 40 CFR §60.44b, and 25 Pa. Code §129.97(g)(1)(ii)]

(a) Pursuant to best available technology requirements of 25 Pa. Code Sections 127.1 and 127.12, the total emissions from Source ID 033A shall not exceed any of the following limitations, except during the periods specified in paragraph (b) of this condition:

- i) 0.10 lb/MMBtu heat input, 25.0 lb/hr, and 32.8 tons of nitrogen oxides in any 12 consecutive month period;
- ii) 0.10 lb/MMBtu heat input and 32.8 tons of carbon monoxide in any 12 consecutive month period;
- iii) 0.051 lb/MMBtu heat input and 16.7 tons of sulfur dioxide in any 12 consecutive month period;
- iv) 0.030 lb/MMBtu heat input and 9.9 tons of total particulate matter (condensable and filterable), including particulate matter having an aerodynamic diameter equal to or less than 10 micrometers (PM-10) in any 12 consecutive month period;
- v) 0.020 lb/MMBtu heat input and 6.6 tons of PM-2.5
- vi) 0.014 lb/MMBtu heat input and 4.6 tons of volatile organic compounds in any 12 consecutive month period.

(b) The emission limitations specified in paragraph (a) of this condition apply at all times the boiler is operating, except during periods where the warm-up gun is being used, during which time the permittee shall comply with a short-term NOx emission limitation of 0.15 lb/MMBtu heat input. NOx emissions from Source ID 033A, including emissions from use of the warm-up gun, shall not exceed 0.10 lb/MMBtu heat input on a 30 operating day average as specified in 40 CFR §60.44b. Additionally, the hourly and 12-month rolling NOx emission limitations specified in paragraph (a) continue to apply while using the warm-up gun.

002 [25 Pa. Code §127.441]**Operating permit terms and conditions.**

[Compliance with this streamlined permit condition will assure compliance with the provisions specified in 40 CFR 60.43b(f)]

[Additional authority for part (a) of this permit condition is also derived from 25 Pa. Code Sections 127.1 and 127.12]
 [Additional authority for part (b) of this permit condition is also derived from 25 Pa. Code Section 123.41]

(a) Except during periods of start-up and shutdown, the permittee shall not permit the emission of visible air contaminants into the atmosphere from Source ID 033A in such a manner that the opacity of the emission is equal to or greater than 15% by using EPA reference Method 9 in appendix A-4 of 40 CFR Part 60.

(b) The permittee shall not permit the emission of visible air contaminants into the atmosphere from Source ID 033A in such a manner that the opacity of the emission is equal to or greater than the following limitations:

- i) 20% for a period or periods aggregating more than 3 minutes in any 1 hour.
- ii) 60% at any time.

**SECTION D. Source Level Requirements****# 003 [25 Pa. Code §127.441]****Operating permit terms and conditions.**

(a) Pursuant to 40 CFR § 63.7500(a), the permittee shall comply with the following emission limitations at all times the auxiliary boiler associated with Source IDs 033A is operating, except during the periods specified in paragraph (b) of this condition:

- (1) carbon monoxide (CO) - 130 ppm, dry basis, corrected to 3% oxygen;
- (2) filterable particulate matter (PM) - 0.0079 lb/MMBtu of heat input OR total selected metals (TSM) - 6.2 E-05 lb/MMBtu of heat input;
- (3) hydrogen chloride (HCl) - 0.0011 lb/MMBtu of heat input;
- (4) mercury (Hg) - 2.0 E-06 lb/MMBtu of heat input.

(b) Pursuant to 40 CFR § 63.7500(f), the emission limitations specified in part (a) of this condition apply at all times the boiler is operating, except during periods of startup and shutdown during which time the permittee shall comply only with items 5 and 6 of Table 3 of 40 CFR Part 63 Subpart DDDDD.

Fuel Restriction(s).**# 004 [25 Pa. Code §127.441]****Operating permit terms and conditions.**

[Compliance with this streamlined permit condition will assure compliance with the provisions of 25 Pa. Code Section 123.22]

Pursuant to best available technology requirements of 25 Pa. Code Sections 127.1 and 127.12, the permittee shall only use No. 2 oil which has a sulfur content no greater than 500 ppm (by weight) as fuel for Source ID 033A. No waste oil, waste-derived oil, or other waste materials shall be added to the No. 2 oil used by Source ID 033A.

Throughput Restriction(s).**# 005 [25 Pa. Code §127.441]****Operating permit terms and conditions.**

[Additional authority for this permit condition is derived from the permittee's election to limit the capacity factor of Source ID 033A]

The permittee shall operate Source ID 033A with an annual capacity factor of no more than 30%.

Annual capacity factor included herein shall be determined by dividing the actual heat input to Source ID 033A for any consecutive 12 month period from the combustion of No. 2 oil by the potential heat input to Source ID 033A if Source ID 033A had been operated for 8,760 hours at the maximum heat input capacity.

II. TESTING REQUIREMENTS.**# 006 [25 Pa. Code §127.441]****Operating permit terms and conditions.**

(a) At least 90 days prior to the performance of any testing required herein, the permittee shall submit two (2) copies of a pretest protocol to the Department for review in accordance with the provisions of 25 Pa. Code Chapter 139. The protocol shall describe the test methods and procedure to be used in the performance of testing, and shall include dimensioned sketches of the exhaust system showing the locations of all proposed sampling ports. The protocol shall also describe how the process rate and heat input will be determined during each test run, and also identify all other process data which will be monitored and recorded during testing including the percentage of oxygen in the flue gas, and any other process data. Additionally, the operational parameters for excess oxygen, atomizing steam pressure and flue gas temperature (after the economizer) of Source ID 033A shall be monitored and recorded during testing. The frequency of recording the process data and operational parameters shall also be proposed in the pretest protocol.

**SECTION D. Source Level Requirements**

(b) The Department shall be given at least 15 days advance notice of the scheduled dates for the performance of any testing required herein. The Department is under no obligation to accept the results of any testing performed without receipt of proper notification.

(c) Within 60 days of the completion of any stack testing required herein, two (2) copies of a test report shall be submitted to the Department in accordance with the provision of 25 Pa. Code Chapter 139. This test report shall contain the results of the testing, a description of the test methods and procedures actually used in the performance of the tests, copies of all process data collected during the testing, copies of all raw test data and copies of all calculations generated during data analysis. The results of the testing shall be expressed in units which allow for a direct comparison and determination of compliance, with the air contaminant emissions limitations contained herein. The operating parameter ranges established in the monitoring plan, as approved by the Department, will determine if any opacity in excess of the limitations is attributed to Source ID 033A.

007 [25 Pa. Code §127.441]**Operating permit terms and conditions.**

[Additional authority for this permit condition is also derived from 40 CFR Section 60.46b]

The permittee shall, upon request, determine compliance with the NO_x standards in 40 CFR Section 60.44b through the use of a 30-day performance test.

008 [25 Pa. Code §127.441]**Operating permit terms and conditions.**

[Additional authority for this permit condition is derived from the provisions specified in paragraph 40 CFR Section 60.48b(a)]

(a) Within 180 days from the date Source ID 033A commenced operation, the permittee shall conduct a performance test using Method 9 in appendix A-4 of 40 CFR Part 60 and the procedures in §60.11 to demonstrate compliance with the visible emissions limit specified herein and shall comply with either paragraphs (a)(1) of this condition or Condition #016 below, as applicable. If during the initial 60 minutes of observation all 6-minute averages are less than 10 percent and all individual 15-second observations are less than or equal to 20 percent, the observation period may be reduced from 3 hours to 60 minutes.

(1) Except as provided in Condition #016 below, the permittee shall conduct subsequent Method 9 performance tests using the procedures in paragraph (a) of this condition according to the applicable schedule requirements specified in paragraphs (a)(1)(i) through (a)(1)(iv) of this condition, as determined by the most recent Method 9 performance test results.

(i) If no visible emissions are observed, a subsequent Method 9 performance test must be completed within 12 calendar months from the date that the most recent performance test was conducted;

(ii) If visible emissions are observed but the maximum 6-minute average opacity is less than or equal to 5 percent, a subsequent Method 9 performance test must be completed within 6 calendar months from the date that the most recent performance test was conducted;

(iii) If the maximum 6-minute average opacity is greater than 5 percent but less than or equal to 10 percent, a subsequent Method 9 performance test must be completed within 3 calendar months from the date that the most recent performance test was conducted; or

(iv) If the maximum 6-minute average opacity is greater than 10 percent, a subsequent Method 9 performance test must be completed within 30 calendar days from the date that the most recent performance test was conducted. If the subsequent Method 9 performance test cannot be completed within such timeframe, the permittee shall notify the Department, shall conduct the subsequent Method 9 performance test at the next available calendar date, and shall notify the Department of the date that such testing was completed.

009 [25 Pa. Code §127.441]**Operating permit terms and conditions.**

(a) The permittee shall comply with the applicable performance testing requirements specified in 40 CFR § 63.7520 and Table 5 to Subpart DDDDD of 40 CFR Part 63—Performance Testing Requirements.

(b) Pursuant to 25 Pa. Code § 139.3, at least 90 calendar days prior to commencing a EPA reference method performance testing program, a test protocol shall be submitted to the Department for review and approval. The test protocol shall meet all applicable requirements specified in the most current version of the Department's Source Testing Manual.

**SECTION D. Source Level Requirements**

(c) Pursuant to 25 Pa. Code § 139.3, at least 15 calendar days prior to commencing an emission performance testing program, notification as to the date and time of testing shall be given to the North Central Regional Office. Notification shall also be sent to the Division of Source Testing and Monitoring. Notification shall not be made without prior receipt of a protocol acceptance letter from the Department.

(d) Pursuant to 40 CFR Part 60.8(a), 40 CFR Part 61.13(f) and 40 CFR Part 63.7(g), complete test reports shall be submitted to the Department no later than 60 calendar days after completion of the on-site testing portion of an EPA reference method performance test program.

(e) Pursuant to 25 Pa. Code § 139.53(b) a complete test report shall include a summary of the emission results on the first page of the report indicating if each pollutant measured is within permitted limits and a statement of compliance or noncompliance with all applicable permit conditions. The summary results will include, at a minimum, the following information:

1. A statement that the owner or operator has reviewed the report from the emissions testing body and agrees with the findings.
2. Permit number(s) and condition(s) which are the basis for the evaluation.
3. Summary of results with respect to each applicable permit condition.
4. Statement of compliance or non-compliance with each applicable permit condition.

(f) Pursuant to 25 Pa. Code § 139.3, all submittals shall meet all applicable requirements specified in the most current version of the Department's Source Testing Manual.

(g) All performance testing shall be conducted in accordance with the provisions of Chapter 139 of the Rules and Regulations of the Department of Environmental Protection.

(h) Pursuant to 25 Pa. Code §§ 139.53(a)(1) and 139.53(a)(3), two (2) copies of the submittal shall be sent to the Pennsylvania Department of Environmental Protection, Northcentral Regional Office, Air Quality Program Manager, 208 West Third Street, Suite 101, Williamsport PA, 17701 with deadlines verified through document postmarks.

(i) The permittee shall insure all federal testing requirements contained in the applicable subpart of 40 CFR are followed, including timelines more stringent than those contained herein. In the event of an inconsistency or any conflicting requirements between the applicable state and federal law, the most stringent provision, term, condition, method or rule shall be used by default.

010 [25 Pa. Code §127.441]**Operating permit terms and conditions.**

The permittee shall comply with the applicable performance tests and fuel analyses requirements, as specified in 40 CFR § 63.7515.

011 [25 Pa. Code §129.100]**Compliance demonstration and recordkeeping requirements.**

(a) On an approximate 5-year basis, but no less than 54 months and no more than 60 months from the date of the previous test, the permittee shall perform EPA reference method testing for nitrogen oxides emissions from Source ID 033A to verify compliance with the RACT limitation specified in 25 Pa. Code §129.97(g)(1)(ii).

(b) All testing shall be done using methods and procedures acceptable to the Department.

(c) All testing shall be performed while the source is operating at maximum normal operating conditions.

III. MONITORING REQUIREMENTS.**# 012 [25 Pa. Code §127.441]****Operating permit terms and conditions.**

The permittee shall comply with the monitoring requirements specified in 40 CFR Section 60.48b(g)(2).

**SECTION D. Source Level Requirements****# 013 [25 Pa. Code §127.441]****Operating permit terms and conditions.**

[Additional authority for this permit condition is also derived from the provisions specified in 40 CFR Sections 60.48b(a)(2) and (a)(3)]

(a) If the maximum 6-minute opacity is less than 10 percent during the most recent Method 9 performance test, the permittee may, as an alternative to performing subsequent Method 9 performance tests, elect to perform subsequent monitoring using Method 22 in appendix A-7 of 40 CFR Part 60 according to the procedures specified in paragraphs (a)(1) and (a)(2) of this condition.

(1) The permittee shall conduct 10 minute observations (during normal operation) each operating day using Method 22 and demonstrate that the sum of the occurrences of any visible emissions is not in excess of 5 percent of the observation period (i.e., 30 seconds per 10 minute period). If the sum of the occurrence of any visible emissions is greater than 30 seconds during the initial 10 minute observation, immediately conduct a 30 minute observation. If the sum of the occurrence of visible emissions is greater than 5 percent of the observation period (i.e., 90 seconds per 30 minute period) the permittee shall either document and adjust the operation of the facility and demonstrate within 24 hours that the sum of the occurrence of visible emissions is equal to or less than 5 percent during a 30 minute observation (i.e., 90 seconds) or conduct a new Method 9 performance test using the procedures specified in 40 CFR Section 60.48b(a) within 45 calendar days according to the requirements in 40 CFR Section 60.46d(d)(7). If the new Method 9 performance test cannot be completed within such timeframe, the permittee shall notify the Department, shall conduct the new Method 9 performance test at the next available calendar date, and shall notify the Department of the date that such testing was completed.

(2) If no visible emissions are observed for 30 operating days, observations can be reduced to once every 7 operating days during which an opacity standard is applicable. If any visible emissions are observed, daily observations shall be resumed.

(b) If the maximum 6-minute opacity is less than 10 percent during the most recent Method 9 performance test, the permittee may, as an alternative to performing subsequent Method 9 performance tests, elect to perform subsequent monitoring using a digital opacity compliance system according to a site-specific monitoring plan approved by the Department or the Administrator. The observations shall be similar, but not necessarily identical, to the requirements specified in (a) of this condition. For reference purposes in preparing the monitoring plan, see OAQPS "Determination of Visible Emission Opacity from Stationary Sources Using Computer-Based Photographic Analysis Systems." This document is available from the U.S. Environmental Protection Agency (U.S. EPA); Office of Air Quality and Planning Standards; Sector Policies and Programs Division; Measurement Policy Group (D243-02), Research Triangle Park, NC 27711. This document is also available on the Technology Transfer Network (TTN) under Emission Measurement Center Preliminary Methods.

014 [25 Pa. Code §127.441]**Operating permit terms and conditions.**

(a) The visible emissions from Source ID 033A are determined by:

(1) The provisions specified in 25 Pa. Code Section 123.43.

(2) During operation, continuously monitoring the excess oxygen, atomizing steam pressure and flue gas temperature (after the economizer) of Source ID 033A.

(b) When Source ID 033A and Source ID 034 of Title V Operating Permit 47-00001 simultaneously exhaust through the common stack, the following applies:

(1) Opacity determined to be in excess of the limit specified in Condition #002(a), above, is attributed to Source ID 033A and Source ID 034 if the operating parameters monitored in item (a)(2) of this condition fall outside the respective operating parameter ranges established in the monitoring plan, as approved by the Department, for either excess oxygen or atomizing steam pressure.

(2) Opacity determined to be in excess of the limit specified in Condition #002(a), above, is attributed to Source ID 034 if the operating parameters monitored in item (a)(2) of this condition are within the respective operating parameter ranges established in the monitoring plan, as approved by the Department, for excess oxygen and atomizing steam pressure.

(3) Opacity determined to be in excess of the limits specified in Condition #002(b), above, is attributed to Source ID 034 if the operating parameters monitored in item (a)(2) of this condition are within the respective operating parameter ranges established in the monitoring plan, as approved by the Department, for excess oxygen and atomizing steam pressure.

(4) Opacity determined to be in excess of the limits specified in Condition #002(b), above, is attributed to Source ID 033A and Source ID 034 if the operating parameters monitored in item (a)(2) of this condition fall outside the respective operating

**SECTION D. Source Level Requirements**

parameter ranges established in the monitoring plan, as approved by the Department, for either excess oxygen or atomizing steam pressure.

015 [25 Pa. Code §127.441]**Operating permit terms and conditions.**

(a) Pursuant to 40 CFR § 63.7505(d), the permittee shall develop and provide with the test protocol required herein, sitespecific monitoring plans pertaining to each of the continuous monitoring systems required to comply with the applicable requirements of 40 CFR Part 63 Subpart DDDDD. The site-specific monitoring plans for the continuous monitoring systems shall be developed according to the requirements in 40 CFR § 63.7505(d)(1) through (4).

(b) Pursuant to 40 CFR § 63.7521(b), the permittee shall develop and provide with the test protocol required herein, site-specific fuel monitoring plans pertaining to each of the fuel analyses used to comply with the applicable requirements of 40 CFR Part 63 Subpart DDDDD. The site-specific fuel monitoring plan for each fuel analysis shall be developed according to the requirements in 40 CFR § 63.7521(b)(1) and (2).

016 [25 Pa. Code §127.441]**Operating permit terms and conditions.**

(a) Pursuant to the applicable requirements at 40 CFR § 63.7530, the permittee shall install, calibrate, maintain and operate an oxygen trim system in accordance with the manufacturer's recommendations and the site-specific monitoring plan for this continuous monitoring system (CMS) as well as the requirements at 40 CFR § 63.7525(b)(7) and set the oxygen trim system no lower than the lowest hourly average oxygen concentration measured during the most recent CO performance test as the operating limit for oxygen.

(i) The oxygen analyzer system shall operate during periods of boiler startup and shutdown, as required by the provisions at 40 CFR § 63.7500(f).

(ii) The oxygen analyzer system shall operate according to the applicable requirements at 40 CFR §§ 63.7535(b) through (d).

(b) Pursuant to the applicable requirements at 40 CFR § 63.7530, the permittee shall install, calibrate, maintain and operate operating load monitors or steam generation monitors in accordance with the site-specific monitoring plan for the selected CMS as well as establish, monitor and maintain the operating load or steam generation rate of Source ID 033A, as applicable, such that it does not exceed 110 percent of the highest hourly average recorded during the most recent CO performance test.

(i) The selected CMS shall operate, monitor and collect data according to the site-specific monitoring plan and the applicable requirements at 40 CFR §§ 63.7535(b) through (d).

(ii) The selected CMS shall monitor and collect data during periods of boiler startup and shutdown, as required by the provisions at 40 CFR § 63.7500(f).

(iii) The permittee shall install, maintain and operate the CMS for operating load or steam generation rate according to the requirements at 40 CFR §§ 63.7525(e) or (f), as applicable.

IV. RECORDKEEPING REQUIREMENTS.**# 017 [25 Pa. Code §127.441]****Operating permit terms and conditions.**

[Additional authority for this permit condition is also derived from the provisions specified in 40 CFR 60.49b]

The permittee shall keep accurate and comprehensive records of the following information for Source ID 033A:

- i) A copy of the stack test reports for any testing performed on the source.
- ii) The amount of No. 2 oil combusted in the source during each day (each day must have a value for the amount of fuel, i.e. if Source ID 033A is not operated, for each day of non-operation, 0 would be the recorded value).
- iii) Annual capacity factor of the source (the annual capacity factor is determined on a 12-month rolling average basis with a new annual capacity factor calculated at the end of each calendar month).
- iv) Fuel receipts from the fuel supplier that certify the oil used as fuel in the source meets the definition of No. 2 by the supplier and the sulfur limit herein.
- v) Daily inspections for gun leaks; shape, smoke and color of flame-pattern including description of corrective actions needed as specified in the plan approval application; name of individual conducting inspection; date and time of inspection;

**SECTION D. Source Level Requirements**

and the heat input of boiler during the inspection.

vi) Description of annual maintenance performed including date and time of annual maintenance, and name of individual(s) who performed the inspection.

All information generated for this recordkeeping condition shall be kept for a period of five (5) years and shall be made available to the Department upon request.

018 [25 Pa. Code §127.441]

Operating permit terms and conditions.

[Additional authority for this permit condition is also derived from the provisions specified in 40 CFR Section 60.49b]

In accordance with the frequency of the opacity testing and monitoring conditions herein, the permittee shall maintain records of opacity. These records shall be kept for a period of five (5) years and shall be made available to the Department upon request.

019 [25 Pa. Code §127.441]

Operating permit terms and conditions.

The permittee shall comply with the applicable recordkeeping requirements, as specified in 40 CFR § 63.7555.

020 [25 Pa. Code §127.441]

Operating permit terms and conditions.

All records generated to satisfy the requirements specified herein shall be kept for a period of at least 5 years and shall be made available to the Department upon request. In accordance with 40 CFR § 63.7560, the records shall kept on-site, or they shall be accessible from on-site (for example, through a computer network), for at least 2 years after the date of each occurrence, measurement, maintenance, corrective action, report, or record, according to 40 CFR § 63.10(b)(1). The permittee may keep the records off site for the remaining 3 years.

021 [25 Pa. Code §129.100]

Compliance demonstration and recordkeeping requirements.

(a) The permittee shall keep records to demonstrate compliance with §§ 129.97 in the following manner:

(1) The records must include sufficient data and calculations to demonstrate that the requirements of 25 Pa. Code § 129.97 are met.

(2) Data or information required to determine compliance shall be recorded and maintained in a time frame consistent with the averaging period of the requirement.

(b) These records shall be retained for a minimum of 5 years and be made available to the Department upon request.

V. REPORTING REQUIREMENTS.

022 [25 Pa. Code §127.441]

Operating permit terms and conditions.

The permittee shall submit the emissions of nitrogen oxides, carbon monoxide, sulfur oxides, and total particulate matter (filterable and condensable), and volatile organic compound from Source ID 033A with the supporting calculations/documentation for each month in the reporting period on a semi-annual basis (includes total emissions tons per year based on a 12-consecutive month rolling total for each month in that reporting period).

Semi-annual reports shall be submitted to the Department by March 1 (for the July 1 through December 31 reporting period of the preceding year) and September 1 (for the January 1 through June 30 reporting period of the concurrent year).

023 [25 Pa. Code §127.441]

Operating permit terms and conditions.

[Additional authority for this permit condition is also derived from the provision of 40 CFR Section 60.49b(r)]

The permittee shall include in the semi-annual report a statement certifying that only oil meeting the definition and limitation herein was combusted in Source ID 033A during the reporting period

**SECTION D. Source Level Requirements**

Semi-annual reports shall be submitted to the Department by March 1 (for the July 1 through December 31 reporting period of the preceding year) and September 1 (for the January 1 through June 30 reporting period of the concurrent year).

024 [25 Pa. Code §127.441]**Operating permit terms and conditions.**

[Additional authority for this permit condition is also derived from the provisions specified in 40 CFR Section 60.49b]

(a) In addition to the initial notification requirement specified in Section B herein, the permittee shall submit initial notification in accordance with the provisions of 40 CFR §60.7.

(b) The permittee is required to submit, on a semi-annual basis, excess emission reports for any excess emissions that occurred during the reporting period.

(1) For the purpose of 40 CFR §60.43b, excess emissions are defined as all 6-minute periods during which the average opacity exceeds the opacity standards under 40 CFR §60.43b(f).

025 [25 Pa. Code §127.441]**Operating permit terms and conditions.**

The permittee shall comply with the applicable reporting requirements, as specified in 40 CFR § 63.7550.

026 [25 Pa. Code §127.441]**Operating permit terms and conditions.**

The permittee shall comply with the applicable notification requirements, as specified in 40 CFR § 63.7545.

VI. WORK PRACTICE REQUIREMENTS.**# 027 [25 Pa. Code §127.441]****Operating permit terms and conditions.**

Pursuant to best available technology requirements of 25 Pa. Code Sections 127.1 and 127.12, the permittee shall operate and maintain Source ID 033A in a manner consistent with good air pollution control practices for minimizing emissions at all times including during startup, shutdown, and malfunction events.

028 [25 Pa. Code §127.441]**Operating permit terms and conditions.**

(a) Pursuant to best available technology requirements of 25 Pa. Code Sections 127.1 and 127.12, the permittee shall perform daily inspections and annual maintenance on Source ID 033A as described in Plan Approval Application 47-00001E. Daily inspections (when Source ID 033A is operating) will include inspection of gun for leaks, and observation of flame-pattern for smoke, color, and shape. Annual maintenance will include inspections of gun assembly, burner tip, refractory, spinners, burner throat, and dampers associated with flue gas recirculation. Any irregularities, repairs, replacement parts, corrective actions, etc. needed as a result of daily inspections and annual maintenance shall be performed as expeditiously as possible.

(b) For every Source ID 033A start-up and operation, each daily inspection shall occur no more than 30 minutes after start-up, and within every 24-hour period from the previous inspection (when Source ID 033A is still in operation).

(c) The initial annual maintenance shall be performed between the first 1800 hours and 2628 hours of operation. Subsequent maintenance shall be performed on an approximate annual basis, but in each case, no less than 1800 hours of operation and no more than 2628 hours of operation following the previous maintenance.

029 [25 Pa. Code §127.441]**Operating permit terms and conditions.**

Pursuant to 40 CFR § 63.7540, the permittee shall conduct tune-ups of Source ID 033A by following the procedures at 40 CFR §§ 63.7540(a)(10)(i) through (vi) every 5 years from the date of the previous tune-up, except as specified in 40 CFR §§ 63.7540(a)(12) and (13).

**SECTION D. Source Level Requirements****# 030 [25 Pa. Code §129.97]****Presumptive RACT requirements, RACT emission limitations and petition for alternative compliance schedule.**

Pursuant to 25 Pa. Code § 129.97(d), the permittee shall maintain and operate Source ID 033A in accordance with the manufacturer's specifications and with good operating practices for the control of the VOC emissions from the combustion unit.

VII. ADDITIONAL REQUIREMENTS.**# 031 [25 Pa. Code §127.441]****Operating permit terms and conditions.**

Source ID 033A consists of No. 2 oil-fired, steam generating unit which nominally produces 200K lbs/hr of steam used for Unit 1 and 2 start-up purposes. Source ID 033A shall incorporate a Coen-model, low-NOx burner rated at maximum, heat input equal to 249.9 MMBtu/hr and flue gas recirculation.

032 [25 Pa. Code §127.441]**Operating permit terms and conditions.**

Source ID 033A is subject to Title 40 Part 60 Subpart Db (Standards of Performance for Industrial-Commercial-Institutional Steam Generating Units). The permittee shall comply with all applicable provisions specified in 40 CFR Sections 60.40b - 60.49b.

033 [25 Pa. Code §127.441]**Operating permit terms and conditions.**

The provision under 40 CFR Section 60.42b(k)(2), which exempts the unit from the SO₂ standard of 40 CFR Section 60.42b, applies to Source ID 033A based on the requirement to only use No. 2 oil with maximum 500 ppm sulfur which meets the definition of very low sulfur oil specified in 40 CFR Section 60.41b.

034 [25 Pa. Code §127.441]**Operating permit terms and conditions.**

[Additional authority for this permit condition is also derived from the provisions specified in 40 CFR § 63.7540(a)(1)]

(a) Pursuant to 40 CFR § 63.7540(a)(1), the operating limits established by the approved site-specific CO monitoring plan(s) shall be confirmed or reestablished only during performance tests.

(b) Operation of Source ID 033A above the established maximum or below the established minimum operating limits shall constitute a deviation of established operating limits except during the periods specified at 40 CFR § 63.7540(a)(1).

035 [25 Pa. Code §127.441]**Operating permit terms and conditions.**

Source ID 033A is subject to the National Emission Standards for Hazardous Air Pollutants for Major Sources: Industrial, Commercial, and Institutional Boilers and Process Heaters. The permittee shall comply with all of the applicable requirements for Source ID 033A, as specified in 40 CFR §§ 63.7480 through 63.7575.

***** Permit Shield in Effect. *****

**SECTION D. Source Level Requirements**

Source ID: 034

Source Name: AUX CE BOILER 2 (UNIT 11B)

Source Capacity/Throughput: 269.000 MMBTU/HR

1,910.000 Gal/HR #2 Oil

**I. RESTRICTIONS.****Emission Restriction(s).****# 001 [25 Pa. Code §123.11]****Combustion units**

No person may permit the emission into the outdoor atmosphere of particulate matter from the exhaust of Source ID 034 in excess of the rate determined by the following formula:

$$A = 3.6 \times E^{.56}$$

where A = Allowable emissions in pounds per million Btus of heat input, and E = Heat input to the combustion unit in millions of Btus per hour (when E is equal to or greater than 50 but less than 600).

002 [25 Pa. Code §123.22]**Combustion units**

[Compliance with the requirement specified in this streamlined permit condition assures compliance with the provision in 40 CFR 52.2020(c)]

No person may permit the emission into the outdoor atmosphere of sulfur oxides, expressed as SO₂, from the exhaust of Source ID 034 in excess of the rate of 4 pounds per million Btu of heat input over any 1-hour period.

003 [25 Pa. Code §127.441]**Operating permit terms and conditions.**

[Additional authority for this permit condition is derived from 25 Pa. Code §§ 129.91 and 129.97(g)(1)(ii)]

The nitrogen oxides emissions (NO_x, expressed as NO₂) from Source ID 034 shall not exceed:

(a) 0.12 pounds per million BTU of heat input.

(b) 34 tons in any 12 consecutive month period.

Fuel Restriction(s).**# 004 [25 Pa. Code §127.441]****Operating permit terms and conditions.**

[Additional authority for this permit condition is derived from 25 Pa. Code Section 127.511]

The sulfur content of the #2 and lighter fuel oil fired in Source ID 034 shall not exceed 0.05% (by weight).

005 [25 Pa. Code §127.441]**Operating permit terms and conditions.**

The permittee shall only fire #2 or lighter fuel oil in Source ID 034.

**SECTION D. Source Level Requirements****Operation Hours Restriction(s).****# 006 [25 Pa. Code §127.441]****Operating permit terms and conditions.**

[Additional authority for this restriction is also derived from the election of the permittee to operate this boiler according to the limited-use boiler designation and avoid being subject to emission and operating limits, among other requirements, of 40 CFR Part 63 Subpart DDDDD in accordance with the provisions specified in 40 CFR § 63.7500(c)]

[Compliance with this streamlined permit condition also assures compliance with the 20% capacity factor established under 25 Pa. Code §129.91]

Operation of Source ID 034 shall be restricted to an annual capacity factor of no more than 10%.

II. TESTING REQUIREMENTS.**# 007 [25 Pa. Code §127.441]****Operating permit terms and conditions.**

[Additional authority for this permit condition is also derived from the provisions of 25 Pa. Code §§ 129.91, 129.100(a)(4) and 127.511]

(a) On an approximate 5-year basis, but no less than 54 months and no more than 60 months from the date of the previous test, the permittee shall perform EPA reference method testing for particulate matter and nitrogen oxides emissions from Source ID 034 to verify compliance with the respective limitations in this permit.

(b) All testing shall be done using methods and procedures acceptable to the Department.

(c) All testing shall be performed while the source is operating at maximum normal operating conditions.

III. MONITORING REQUIREMENTS.**# 008 [25 Pa. Code §127.441]****Operating permit terms and conditions.**

[Additional authority for this permit condition is derived from 25 Pa. Code Section 127.511]

(a) The permittee shall perform tests or obtain a fuel certification report of the percent sulfur by weight of each delivery of #2 fuel oil for the auxiliary boiler associated with Source ID 034. OR The permittee shall keep records of fuel certification reports obtained yearly from the #2 fuel oil supplier containing the name of the supplier and stating that the sulfur percentage for each shipment of fuel delivered to the facility for the auxiliary boiler associated with Source ID P034 during the year shall not exceed 0.05% by weight.

(b) All testing and certification reports shall be in accordance with the provisions of 25 Pa. Code Chapter 139.

IV. RECORDKEEPING REQUIREMENTS.**# 009 [25 Pa. Code §127.441]****Operating permit terms and conditions.**

[Additional authority for this permit condition is derived from 25 Pa. Code §§ 129.95, 129.100 and 127.511]

The permittee shall keep records for Source ID 034 that shall at a minimum, include:

(a) Records demonstrating compliance with 25 Pa. Code Section 129.95 and 129.97. Data or information required to determine compliance shall be recorded and maintained in a time frame consistent with the averaging period of the requirement.

(b) Data which clearly demonstrates that the annual capacity factor of the auxiliary boiler is equal to or less than 10%.

(c) All stack test data generated for Source ID 034.

**SECTION D. Source Level Requirements**

(d) Records of the NOx emissions calculations used to demonstrate compliance with the annual NOx emission limitations.

(e) Records shall be retained for a minimum of 5 years and shall be made available to the Department upon request.

010 [25 Pa. Code §127.441]

Operating permit terms and conditions.

[Additional authority for this permit condition is derived from 25 Pa. Code Section 127.511]

(a) The permittee shall keep records of the supporting documentation and calculations used to verify compliance with the sulfur oxides emissions limitations for Source ID 034.

(b) Records shall be retained for a minimum of five years and shall be made available to the Department upon request.

011 [25 Pa. Code §127.441]

Operating permit terms and conditions.

[Additional authority for this permit condition is derived from 25 Pa. Code Section 127.511]

(a) The permittee shall keep test analyses or fuel oil certifications for FM02 to verify compliance with the 0.05% by weight sulfur content limitation, of the #2 fuel oil used to operate the auxiliary boiler associated with Source ID 034.

(b) These records shall be retained for a minimum of five (5) years and shall be made available to the Department upon request.

012 [25 Pa. Code §127.441]

Operating permit terms and conditions.

(a) Pursuant to 40 CFR § 63.7525(k), the permittee shall keep fuel use records for the days the auxiliary boiler associated with Source ID 034 was operating.

(b) Along with the recordkeeping required in part (a) of this condition, the permittee shall keep data and calculation records for the auxiliary boiler's annual capacity factor.

013 [25 Pa. Code §127.441]

Operating permit terms and conditions.

The permittee shall keep record of the information required to be determined in order to comply with the applicable tune-up requirements as specified 40 CFR §§ 63.7540(a)(10)(i) through (vi).

014 [25 Pa. Code §127.441]

Operating permit terms and conditions.

All records generated to satisfy the requirements specified herein as well as Subpart DDDDD to 40 CFR Part 63 shall be kept for a period of at least 5 years and shall be made available to the Department upon request. In accordance with 40 CFR § 63.7560, the records shall kept on-site, or they shall be accessible from on-site (for example, through a computer network), for at least 2 years after the date of each occurrence, measurement, maintenance, corrective action, report, or record, according to 40 CFR § 63.10(b)(1). The permittee may keep the records off site for the remaining 3 years.

V. REPORTING REQUIREMENTS.

015 [25 Pa. Code §127.441]

Operating permit terms and conditions.

The permittee shall comply with the applicable reporting requirements, as specified in 40 CFR § 63.7550.

VI. WORK PRACTICE REQUIREMENTS.

016 [25 Pa. Code §127.441]

Operating permit terms and conditions.

Pursuant to 40 CFR § 63.7540, the permittee shall conduct tune-ups of Source ID 034 by following the procedures at 40 CFR §§ 63.7540(a)(10)(i) through (vi) every 5 years from the date of the previous tune-up, except as specified in 40 CFR §§ 63.7540(a)(12) and (13).

**SECTION D. Source Level Requirements****# 017 [25 Pa. Code §129.97]****Presumptive RACT requirements, RACT emission limitations and petition for alternative compliance schedule.**

Pursuant to 25 Pa. Code § 129.97(d), the permittee shall maintain and operate Source ID 034 in accordance with the manufacturer's specifications and with good operating practices for the control of the VOC emissions from the combustion unit.

VII. ADDITIONAL REQUIREMENTS.**# 018 [25 Pa. Code §127.441]****Operating permit terms and conditions.**

Source ID 034 is a 1971 vintage model 31VP-14W Combustion Engineering #2 or lighter fuel oil-fired auxiliary startup boiler #2 (Unit 11B).

019 [25 Pa. Code §127.441]**Operating permit terms and conditions.**

Source ID 034 is subject to the National Emission Standards for Hazardous Air Pollutants for Major Sources: Industrial, Commercial, and Institutional Boilers and Process Heaters. The permittee shall comply with all of the applicable requirements for Source ID 034, as specified in 40 CFR §§ 63.7480 through 63.7575.

***** Permit Shield in Effect. *****

**SECTION D. Source Level Requirements**

Source ID: P201A

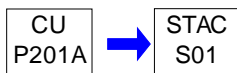
Source Name: EMERGENCY GENERATOR 1A D398

Source Capacity/Throughput:

5.800 MMBTU/HR

44.900 Gal/HR

#2 Oil

**I. RESTRICTIONS.****Emission Restriction(s).****# 001 [25 Pa. Code §123.13]****Processes**

No person may permit the emission of particulate matter from the exhaust of Source ID P201A into the outdoor atmosphere in a manner that the concentration of particulate matter in the effluent gas exceeds 0.04 grain per dry standard cubic foot, when the effluent gas volume is less than 150,000 dry standard cubic feet per minute.

002 [25 Pa. Code §123.21]**General**

No person may permit the emission from the exhaust of Source ID P201A into the outdoor atmosphere in a manner that the concentration of the sulfur oxides (SOX), expressed as SO₂, in the effluent gas exceeds 500 parts per million, by volume, dry basis.

003 [25 Pa. Code §127.441]**Operating permit terms and conditions.**

Pursuant to best available technology requirements of 25 Pa. Code Sections 127.1 and 127.12, the total emissions from Source ID P201A shall not exceed any of the following limitations:

- (a) 3.20 lb/MMBtu heat input, 18.6 lb/hr, and 4.6 tons of nitrogen oxides in any 12 consecutive month period;
- (b) 0.85 lb/MMBtu heat input, 4.9 lb/hr, and 1.2 tons of carbon monoxide in any 12 consecutive month period;
- (c) 0.07 lb/MMBtu heat input, 0.4 lb/hr, and 0.1 tons of total particulate matter (condensable and filterable), including particulate matter having an aerodynamic diameter equal to or less than 2.5 micrometers (PM-2.5), in any 12 consecutive month period;
- (d) 0.09 lb/MMBtu heat input, 0.5 lb/hr, and 0.1 tons of volatile organic compounds in any 12 consecutive month period.

Fuel Restriction(s).**# 004 [25 Pa. Code §127.441]****Operating permit terms and conditions.**

[Additional authority for this permit condition is derived from 25 Pa. Code §§127.1 and 127.12]

- (a) Except as provided in subparagraph (b) below, Source P201A may only be fired on #2 or lighter diesel fuel with a sulfur content of 15 ppm maximum.
- (b) Any existing diesel fuel purchased (or otherwise obtained) by the permittee prior to August 24, 2017 may be used in Source ID P201A until depleted, provided the sulfur content of the fuel does not exceed 0.5% (by weight).

Operation Hours Restriction(s).**# 005 [25 Pa. Code §127.441]****Operating permit terms and conditions.**

[Additional authority for this permit condition is derived from 25 Pa. Code §§127.1 and 127.12]

Source ID P201A shall comply with the operational restrictions on non-emergency usage specified in 40 CFR §63.6640(f).

**SECTION D. Source Level Requirements**

(a) The permittee shall operate Source ID P201A according to the requirements in paragraphs (a)(1) through (3). Any operation other than emergency operation, maintenance and testing, emergency demand response, and operation in non-emergency situations for 50 hours per year, as described in paragraphs (a)(1) through (3), is prohibited.

(1) There is no time limit on the use of Source ID P201A in emergency situations, except the 500 hour per 12 consecutive month period limitation on total operation of the engine as specified in paragraph (b) below.

(2) The permittee may operate Source ID P201A for the purposes specified in paragraphs (a)(2)(i) and (a)(3) for a combined maximum of 100 hours per calendar year.

(i) Source ID P201A may be operated for maintenance checks and readiness testing, provided that the tests are recommended by federal, state or local government, the manufacturer, the vendor, the regional transmission organization or equivalent balancing authority and transmission operator, or the insurance company associated with the engine. The permittee may petition the Department for approval of additional hours to be used for maintenance checks and readiness testing, but a petition is not required if the permittee maintains records indicating that federal, state, or local standards require maintenance and testing of Source ID P201A beyond 100 hours per calendar year.

(3) Source ID P201A may be operated for up to 50 hours per calendar year in non-emergency situations. The 50 hours of operation in non-emergency situations are counted as part of the 100 hours per calendar year for maintenance and testing provided in paragraph (2). The 50 hours per year for non-emergency situations cannot be used for peak shaving or non-emergency demand response, or to generate income for a facility to supply power to an electric grid or otherwise supply power as part of a financial arrangement with another entity.

(b) The total operation of Source ID P201A shall be less than 500 hours in any 12 consecutive month period.

II. TESTING REQUIREMENTS.

No additional testing requirements exist except as provided in other sections of this permit including Section B (Title V General Requirements).

III. MONITORING REQUIREMENTS.

No additional monitoring requirements exist except as provided in other sections of this permit including Section B (Title V General Requirements).

IV. RECORDKEEPING REQUIREMENTS.

006 [25 Pa. Code §127.441]

Operating permit terms and conditions.

[Additional authority for this permit condition is derived from 25 Pa. Code Sections 127.511]

The permittee shall keep records of the following for this source:

(a) The number of hours operated per 12 consecutive month period. The permittee must document how many hours are spent for emergency operation, including what classified the operation as an emergency.

(b) Records of the maintenance conducted on Source ID P201A in order to demonstrate that it is operated and maintained according to the maintenance program.

(c) The documentation and calculations used to verify compliance with the nitrogen oxides, carbon monoxide, volatile organic compound and particulate matter emissions limitations.

These records shall be retained for a minimum of 5 years and shall be made available to the Department upon request.

**SECTION D. Source Level Requirements****V. REPORTING REQUIREMENTS.****# 007 [25 Pa. Code §127.441]****Operating permit terms and conditions.**

[Additional authority for this permit condition is derived from 25 Pa. Code Section 127.511]

(a) The permittee shall annually submit to the Department calculations that will demonstrate compliance with the 12-month rolling nitrogen oxides, carbon monoxide, volatile organic compound and particulate matter emissions limitations for Source ID P201A.

(b) The permittee shall submit the annual hours of operation for Source ID P201A.

The annual report shall be submitted to the Department no later than March 1 for the preceding year.

VI. WORK PRACTICE REQUIREMENTS.**# 008 [25 Pa. Code §127.441]****Operating permit terms and conditions.**

The permittee shall maintain and operate Source ID P201A in accordance with its own engine maintenance program which includes monthly visual inspections of the engines, readiness testing, and a semi-annual oil sampling and evaluation program. The maintenance program shall provide to the extent practicable for the maintenance and operation of the source in a manner consistent with good air pollution control practice for minimizing emissions.

VII. ADDITIONAL REQUIREMENTS.**# 009 [25 Pa. Code §127.441]****Operating permit terms and conditions.**

Source ID P201A is a 1971 vintage Model D398 Caterpillar Emergency Generator No. 1A powered by a 970 bhp diesel-fired engine.

***** Permit Shield in Effect. *****

**SECTION D. Source Level Requirements**

Source ID: P202A

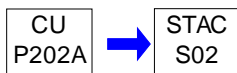
Source Name: EMERGENCY GENERATOR 1B D398

Source Capacity/Throughput:

5.800 MMBTU/HR

44.900 Gal/HR

#2 Oil

**I. RESTRICTIONS.****Emission Restriction(s).****# 001 [25 Pa. Code §123.13]****Processes**

No person may permit the emission of particulate matter from the exhaust of Source ID P202A into the outdoor atmosphere in a manner that the concentration of particulate matter in the effluent gas exceeds 0.04 grain per dry standard cubic foot, when the effluent gas volume is less than 150,000 dry standard cubic feet per minute.

002 [25 Pa. Code §123.21]**General**

No person may permit the emission from the exhaust of Source ID P202A into the outdoor atmosphere in a manner that the concentration of the sulfur oxides (SOX), expressed as SO₂, in the effluent gas exceeds 500 parts per million, by volume, dry basis.

003 [25 Pa. Code §127.441]**Operating permit terms and conditions.**

Pursuant to best available technology requirements of 25 Pa. Code Sections 127.1 and 127.12, the total emissions from Source ID P202A shall not exceed any of the following limitations:

- (a) 3.20 lb/MMBtu heat input, 18.6 lb/hr, and 4.6 tons of nitrogen oxides in any 12 consecutive month period;
- (b) 0.85 lb/MMBtu heat input, 4.9 lb/hr, and 1.2 tons of carbon monoxide in any 12 consecutive month period;
- (c) 0.07 lb/MMBtu heat input, 0.4 lb/hr, and 0.1 tons of total particulate matter (condensable and filterable), including particulate matter having an aerodynamic diameter equal to or less than 2.5 micrometers (PM-2.5), in any 12 consecutive month period;
- (d) 0.09 lb/MMBtu heat input, 0.5 lb/hr, and 0.1 tons of volatile organic compounds in any 12 consecutive month period.

Fuel Restriction(s).**# 004 [25 Pa. Code §127.441]****Operating permit terms and conditions.**

[Additional authority for this permit condition is derived from 25 Pa. Code §§127.1 and 127.12]

- (a) Except as provided in subparagraph (b) below, Source P202A may only be fired on #2 or lighter diesel fuel with a sulfur content of 15 ppm maximum.
- (b) Any existing diesel fuel purchased (or otherwise obtained) by the permittee prior to August 24, 2017 may be used in Source ID P202A until depleted, provided the sulfur content of the fuel does not exceed 0.5% (by weight).

Operation Hours Restriction(s).**# 005 [25 Pa. Code §127.441]****Operating permit terms and conditions.**

[Additional authority for this permit condition is derived from 25 Pa. Code §§127.1 and 127.12]

Source ID P202A shall comply with the operational restrictions on non-emergency usage specified in 40 CFR §63.6640(f).

**SECTION D. Source Level Requirements**

(a) The permittee shall operate Source ID P202A according to the requirements in paragraphs (a)(1) through (3). Any operation other than emergency operation, maintenance and testing, emergency demand response, and operation in non-emergency situations for 50 hours per year, as described in paragraphs (a)(1) through (3), is prohibited.

(1) There is no time limit on the use of Source ID P202A in emergency situations, except the 500 hour per 12 consecutive month period limitation on total operation of the engine as specified in paragraph (b) below.

(2) The permittee may operate Source ID P202A for the purposes specified in paragraphs (a)(2)(i) and (a)(3) for a combined maximum of 100 hours per calendar year.

(i) Source ID P202A may be operated for maintenance checks and readiness testing, provided that the tests are recommended by federal, state or local government, the manufacturer, the vendor, the regional transmission organization or equivalent balancing authority and transmission operator, or the insurance company associated with the engine. The permittee may petition the Department for approval of additional hours to be used for maintenance checks and readiness testing, but a petition is not required if the permittee maintains records indicating that federal, state, or local standards require maintenance and testing of Source ID P202A beyond 100 hours per calendar year.

(3) Source ID P202A may be operated for up to 50 hours per calendar year in non-emergency situations. The 50 hours of operation in non-emergency situations are counted as part of the 100 hours per calendar year for maintenance and testing provided in paragraph (2). The 50 hours per year for non-emergency situations cannot be used for peak shaving or non-emergency demand response, or to generate income for a facility to supply power to an electric grid or otherwise supply power as part of a financial arrangement with another entity.

(b) The total operation of Source ID P202A shall be less than 500 hours in any 12 consecutive month period.

II. TESTING REQUIREMENTS.

No additional testing requirements exist except as provided in other sections of this permit including Section B (Title V General Requirements).

III. MONITORING REQUIREMENTS.

No additional monitoring requirements exist except as provided in other sections of this permit including Section B (Title V General Requirements).

IV. RECORDKEEPING REQUIREMENTS.

006 [25 Pa. Code §127.441]

Operating permit terms and conditions.

[Additional authority for this permit condition is derived from 25 Pa. Code Sections 127.511]

The permittee shall keep records of the following for this source:

(a) The number of hours operated per 12 consecutive month period. The permittee must document how many hours are spent for emergency operation, including what classified the operation as an emergency.

(b) Records of the maintenance conducted on Source ID P202A in order to demonstrate that it is operated and maintained according to the maintenance program.

(c) The documentation and calculations used to verify compliance with the nitrogen oxides, carbon monoxide, volatile organic compound and particulate matter emissions limitations.

These records shall be retained for a minimum of 5 years and shall be made available to the Department upon request.

**SECTION D. Source Level Requirements****V. REPORTING REQUIREMENTS.****# 007 [25 Pa. Code §127.441]****Operating permit terms and conditions.**

[Additional authority for this permit condition is derived from 25 Pa. Code Section 127.511]

(a) The permittee shall annually submit to the Department calculations that will demonstrate compliance with the 12-month rolling nitrogen oxides, carbon monoxide, volatile organic compound and particulate matter emissions limitations for Source ID P202A.

(b) The permittee shall submit the annual hours of operation for Source ID P202A.

The annual report shall be submitted to the Department no later than March 1 for the preceding year.

VI. WORK PRACTICE REQUIREMENTS.**# 008 [25 Pa. Code §127.441]****Operating permit terms and conditions.**

The permittee shall maintain and operate Source ID P202A in accordance with its own engine maintenance program which includes monthly visual inspections of the engines, readiness testing, and a semi-annual oil sampling and evaluation program. The maintenance program shall provide to the extent practicable for the maintenance and operation of the source in a manner consistent with good air pollution control practice for minimizing emissions.

VII. ADDITIONAL REQUIREMENTS.**# 009 [25 Pa. Code §127.441]****Operating permit terms and conditions.**

Source ID P202A is a 1971 vintage Model D398 Caterpillar Emergency Generator No. 1B powered by a 970 bhp diesel-fired engine.

***** Permit Shield in Effect. *****

**SECTION D. Source Level Requirements**

Source ID: P203

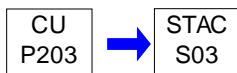
Source Name: EMERGENCY GENERATOR 2 D343

Source Capacity/Throughput:

2.400 MMBTU/HR

18.500 Gal/HR

#2 Oil

**I. RESTRICTIONS.****Emission Restriction(s).****# 001 [25 Pa. Code §123.13]****Processes**

No person may permit the emission of particulate matter from the exhaust of Source ID P203 into the outdoor atmosphere in a manner that the concentration of particulate matter in the effluent gas exceeds 0.04 grain per dry standard cubic foot, when the effluent gas volume is less than 150,000 dry standard cubic feet per minute.

002 [25 Pa. Code §123.21]**General**

No person may permit the emission from the exhaust of Source ID P203 into the outdoor atmosphere in a manner that the concentration of the sulfur oxides (SOX), expressed as SO₂, in the effluent gas exceeds 500 parts per million, by volume, dry basis.

003 [25 Pa. Code §127.441]**Operating permit terms and conditions.**

[Additional authority for this permit condition is derived from 25 Pa. Code Section 129.91]

The total volatile organic compound (VOC) emissions from Source ID P203 shall not equal or exceed 3 pounds per hour or 2.7 tons in any 12 consecutive month period.

Fuel Restriction(s).**# 004 [25 Pa. Code §127.441]****Operating permit terms and conditions.**

The permittee shall only fire #2 or lighter fuel oil in Source ID P203.

Operation Hours Restriction(s).**# 005 [25 Pa. Code §127.441]****Operating permit terms and conditions.**

[Additional authority for this permit condition is derived from 25 Pa. Code §§ 129.91, 129.93, and 129.97(c)(8)]

The permittee shall not operate Source ID P203 equal to or in excess of 500 hours in any 12 consecutive month period. Compliance with this requirement shall additionally be considered as part of RACT for this source.

006 [40 CFR Part 63 NESHAPS for Source Categories §40 CFR 63.6640]**Subpart ZZZZ - National Emissions Standards for Hazardous Air Pollutants for Stationary Reciprocating Internal Combustion Engines****How do I demonstrate continuous compliance with the emission limitations, operating limitations, and other requirements?**

The permittee shall operate Source ID P203 according to the requirements in paragraphs (1) through (3). Any operation other than emergency operation, maintenance and testing, emergency demand response, and operation in non-emergency situations for 50 hours per year, as described in paragraphs (1) through (3), is prohibited.

(1) There is no time limit on the use of Source ID P203 in emergency situations, except the 500 hour per 12 consecutive month period limitation on total operation of the engine as established under RACT.

(2) The permittee may operate Source ID P203 for the purposes specified in paragraphs (2)(i) and (3) for a combined

**SECTION D. Source Level Requirements**

maximum of 100 hours per calendar year.

(i) Source ID P203 may be operated for maintenance checks and readiness testing, provided that the tests are recommended by federal, state or local government, the manufacturer, the vendor, the regional transmission organization or equivalent balancing authority and transmission operator, or the insurance company associated with the engine. The permittee may petition the Department for approval of additional hours to be used for maintenance checks and readiness testing, but a petition is not required if the permittee maintains records indicating that federal, state, or local standards require maintenance and testing of Source ID P203 beyond 100 hours per calendar year.

(3) Source ID P203 may be operated for up to 50 hours per calendar year in non-emergency situations. The 50 hours per year for non-emergency situations cannot be used for peak shaving or non-emergency demand response, or to generate income for a facility to supply power to an electric grid or otherwise supply power as part of a financial arrangement with another entity.

II. TESTING REQUIREMENTS.

No additional testing requirements exist except as provided in other sections of this permit including Section B (Title V General Requirements).

III. MONITORING REQUIREMENTS.

007 [25 Pa. Code §127.441]

Operating permit terms and conditions.

[Additional authority for this permit condition is derived from 25 Pa. Code Section 127.511]

The sulfur content of the #2 and lighter fuel oil fired in the emergency generator shall not exceed 0.5% (by weight).

008 [40 CFR Part 63 NESHAPS for Source Categories §40 CFR 63.6625]

Subpart ZZZZ - National Emissions Standards for Hazardous Air Pollutants for Stationary Reciprocating Internal Combustion Engines

What are my monitoring, installation, operation, and maintenance requirements?

Source ID P203 shall be equipped with a non-resettable hour meter.

IV. RECORDKEEPING REQUIREMENTS.

009 [25 Pa. Code §127.441]

Operating permit terms and conditions.

[Additional authority for this permit condition is derived from 25 Pa. Code §§ 127.511, 129.95, 129.100, and 40 CFR § 63.6655]

The permittee shall keep records of the following for this source:

(a) The number of hours operated per month, as recorded through the non-resettable hour meter. The permittee shall document how many hours are spent for emergency operation, including what classified the operation as emergency and how many hours are spent for non-emergency operation.

(b) The calculations used to verify compliance with the sulfur oxides and particulate matter emissions limitations.

(c) The calculations used to verify compliance with the volatile organic compound emissions limitation for Sources ID P203.

(d) Records of the maintenance conducted on Source ID P203 in order to demonstrate that it is operated and maintained according to the manufacturers' specifications, the permittee's own maintenance plan and good air pollution control practices.

(e) The occurrence and duration of each malfunction of operation (i.e., process equipment) or the air pollution control and monitoring equipment. The permittee shall maintain records of actions taken during periods of malfunction to minimize

**SECTION D. Source Level Requirements**

emissions in accordance with §63.6605(b), including corrective actions to restore malfunctioning process and air pollution control and monitoring equipment to its normal or usual manner of operation.

These records shall be retained for a minimum of 5 years and shall be made available to the Department upon request.

V. REPORTING REQUIREMENTS.**# 010 [25 Pa. Code §127.441]****Operating permit terms and conditions.**

[Additional authority for this permit condition is derived from 25 Pa. Code Section 127.511]

(a) The permittee shall annually submit to the Department calculations that will demonstrate compliance with the VOC emission limitation for Sources ID P203.

(b) The permittee shall submit the annual hours of operation for Sources ID P203.

The annual report shall be submitted to the Department no later than March 1 for the preceding year.

011 [40 CFR Part 63 NESHAPS for Source Categories §40 CFR 63.6650]**Subpart ZZZZ - National Emissions Standards for Hazardous Air Pollutants for Stationary Reciprocating Internal Combustion Engines****What reports must I submit and when?**

Pursuant to §63.6650(b)(5) and §63.6650(f), each affected source that has obtained a Title V operating permit under 40 CFR Part 70 (State Operating Permit Program) must report all deviations as defined in 40 CFR Part 63 Subpart ZZZZ in the semiannual monitoring report required by the Title V operating permit. The deviations that are to be reported in the semiannual monitoring report include any instance in which the operating limitations in Table 2c of 40 CFR Part 63 Subpart ZZZZ were not met. Therefore, any deviations of the following operating limits must be reported in the semiannual monitoring report:

- a. Change oil and filter every 500 hours of operation or annually, whichever comes first;
- b. Inspect air cleaner every 1,000 hours of operation or annually, whichever comes first, and replace as necessary;
- c. Inspect all hoses and belts every 500 hours of operation or annually, whichever comes first, and replace as necessary; and
- d. Minimize the engine's time spent at idle and minimize the engine's startup time at startup to a period needed for appropriate and safe loading of the engine, not to exceed 30 minutes, after which time the non-startup emission limitations apply.

VI. WORK PRACTICE REQUIREMENTS.**# 012 [25 Pa. Code §127.441]****Operating permit terms and conditions.**

[Additional authority for this permit condition is derived from 25 Pa. Code Sections 129.91, 129.93, and 129.97(c)]

The permittee shall maintain and operate this emergency generator in accordance with the manufacturers' specifications and good air pollution control practices. Compliance with this requirement shall additionally be considered as part of RACT for this source.

013 [40 CFR Part 63 NESHAPS for Source Categories §40 CFR 63.6602]**Subpart ZZZZ - National Emissions Standards for Hazardous Air Pollutants for Stationary Reciprocating Internal Combustion Engines****What emission limitations must I meet if I own or operate an existing stationary RICE with a site rating of equal to or less than 500 brake HP located at a major source of HAP emissions?**

(a) The permittee shall comply with the following maintenance requirements for Source ID P203:

- (i) Change oil and filter every 500 hours of operation or annually, whichever comes first, unless the optional oil analysis indicates the oil does not need to be changed. The permittee has the option of utilizing an oil analysis program in order to

**SECTION D. Source Level Requirements**

extend the specified oil change requirement in 40 CFR Part 63 Subpart ZZZZ Table 2c or to change the oil filter every 500 hours of operation or annually. The oil analysis must be performed at the same frequency specified for changing the oil in Table 2c. The analysis program must at a minimum analyze the following three parameters: Total Base Number, viscosity, and percent water content. The condemning limits for these parameters are as follows: Total Base Number is less than 30 percent of the Total Base Number of the oil when new; viscosity of the oil has changed by more than 20 percent from the viscosity of the oil when new; or percent water content (by volume) is greater than 0.5. If all of these condemning limits are not exceeded, the engine owner or operator is not required to change the oil. If any of the limits are exceeded, the engine owner or operator must change the oil within 2 business days of receiving the results of the analysis; if the engine is not in operation when the results of the analysis are received, the engine owner or operator must change the oil within 2 business days or before commencing operation, whichever is later. The owner or operator must keep records of the parameters that are analyzed as part of the program, the results of the analysis, and the oil changes for the engine. The analysis program must be part of the maintenance plan for the engine.

(ii) Inspect the air cleaner every 1,000 hours of operation or annually, whichever comes first, and replace as necessary.

(iii) Inspect all hoses and belts every 500 hours of operation or annually, whichever comes first, and replace as necessary.

(b) If Source ID P203 is operating during an emergency and it is not possible to shut down the engine in order to perform the work practice requirements on the schedule required in (a) above, or if performing the work practice on the required schedule would otherwise pose an unacceptable risk under federal, state, or local law, the work practice can be delayed until the emergency is over or the unacceptable risk under federal, state, or local law has abated. The work practice should be performed as soon as practicable after the emergency has ended or the unacceptable risk under federal, state, or local law has abated. Sources must report any failure to perform the work practice on the schedule required and the federal, state or local law under which the risk was deemed unacceptable.

014 [40 CFR Part 63 NESHAPS for Source Categories §40 CFR 63.6625]

Subpart ZZZZ - National Emissions Standards for Hazardous Air Pollutants for Stationary Reciprocating Internal Combustion Engines

What are my monitoring, installation, operation, and maintenance requirements?

The permittee shall operate and maintain Source ID P203 according to the manufacturer's emission-related written instructions or develop its own maintenance plan which must provide to the extent practicable for the maintenance and operation of the engine in a manner consistent with good air pollution control practice for minimizing emissions.

015 [40 CFR Part 63 NESHAPS for Source Categories §40 CFR 63.6625]

Subpart ZZZZ - National Emissions Standards for Hazardous Air Pollutants for Stationary Reciprocating Internal Combustion Engines

What are my monitoring, installation, operation, and maintenance requirements?

The permittee shall minimize the time spent at idle during startup of the engine associated with Source ID P203 and minimize the engine's startup time to a period needed for appropriate and safe loading of the engine, not to exceed 30 minutes.

VII. ADDITIONAL REQUIREMENTS.

016 [25 Pa. Code §127.441]

Operating permit terms and conditions.

Source ID P203 is a 1973 vintage Model D343TA Caterpillar Emergency Generator No. 2 powered by a 415 bhp diesel-fired engine.

017 [25 Pa. Code §127.441]

Operating permit terms and conditions.

[Additional authority for this permit condition is also derived from 40 CFR 63.6585]

(a) This engine is an affected source subject to the applicable requirements of the National Emissions Standards for Hazardous Air Pollutants for Stationary Reciprocating Internal Combustion Engines (40 CFR Part 63 Subpart ZZZZ).

(b) As the owner/operator of the engine, the permittee shall comply with all applicable requirements of 40 CFR 63.680

**SECTION D. Source Level Requirements**

through 63.6675, including appendices.

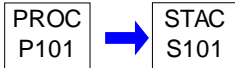
***** Permit Shield in Effect. *****

**SECTION D. Source Level Requirements**

Source ID: P101

Source Name: TWO #2 FUEL OIL STORAGE TANKS

Source Capacity/Throughput:

**I. RESTRICTIONS.**

No additional requirements exist except as provided in other sections of this permit including Section B (Title V General Requirements).

II. TESTING REQUIREMENTS.

No additional testing requirements exist except as provided in other sections of this permit including Section B (Title V General Requirements).

III. MONITORING REQUIREMENTS.

No additional monitoring requirements exist except as provided in other sections of this permit including Section B (Title V General Requirements).

IV. RECORDKEEPING REQUIREMENTS.**# 001 [25 Pa. Code §127.441]****Operating permit terms and conditions.**

[Additional authority for this permit condition is derived from 25 Pa. Code Section 127.511]

The permittee shall keep records of the vapor pressure of the liquid stored in each of the storage tanks of Source ID P101 unless the tank is equipped with pressure relief valves. These records shall be retained for a minimum of 5 years and shall be made available to the Department upon request.

V. REPORTING REQUIREMENTS.

No additional reporting requirements exist except as provided in other sections of this permit including Section B (Title V General Requirements).

VI. WORK PRACTICE REQUIREMENTS.**# 002 [25 Pa. Code §127.441]****Operating permit terms and conditions.**

[Additional authority for this permit condition is derived from 25 Pa. Code Sections 129.56 and 129.57]

For each above ground storage tank with a capacity equal to or greater than 2000 gallons containing volatile organic compounds with a vapor pressure greater than 1.5 psia under actual storage conditions, the permittee shall install pressure relief valves which are maintained in good operating condition and which are set to release at no less than 0.7 psig (4.8 kilopascals) of pressure or 0.3 psig (2.1 kilopascals) of vacuum or the highest possible pressure and vacuum in accordance with state or local fire codes or the National Fire Prevention Association guidelines or other national consensus standards acceptable to the Department.

VII. ADDITIONAL REQUIREMENTS.**# 003 [25 Pa. Code §127.441]****Operating permit terms and conditions.**

Source ID P101 consists of a 500,000 gallon storage tank and a 250,000 gallon storage tank. Both tanks are used for storing #2 fuel oil.



SECTION D. Source Level Requirements

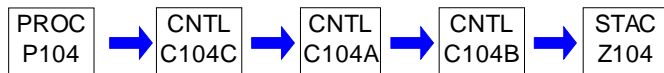
***** Permit Shield in Effect. *****

**SECTION D. Source Level Requirements**

Source ID: P104

Source Name: FLYASH HANDLING SYSTEM

Source Capacity/Throughput:

**I. RESTRICTIONS.****Emission Restriction(s).****# 001 [25 Pa. Code §123.13]****Processes**

No person may permit the emission into the outdoor atmosphere of particulate matter from the exhausts of the flyash handling and disposal operations in a manner that the concentration of particulate matter in the effluent gas exceeds any of the following:

(i) .04 grain per dry standard cubic foot, when the effluent gas volume is less than 150,000 dry standard cubic feet per minute.

(ii) The rate determined by the formula:

$$A = 6000/E$$

where:

A = Allowable emissions in grains per dry standard cubic foot, and

E = Effluent gas volume in dry standard cubic feet per minute,

when E is equal to or greater than 150,000 but less than 300,000.

(iii) .02 grain per dry standard cubic foot, when the effluent gas volume is greater than 300,000 dry standard cubic feet per minute.

II. TESTING REQUIREMENTS.

No additional testing requirements exist except as provided in other sections of this permit including Section B (Title V General Requirements).

III. MONITORING REQUIREMENTS.

No additional monitoring requirements exist except as provided in other sections of this permit including Section B (Title V General Requirements).

IV. RECORDKEEPING REQUIREMENTS.**# 002 [25 Pa. Code §127.441]****Operating permit terms and conditions.**

[Additional authority for this permit condition is derived from 25 Pa. Code Section 127.511]

The permittee shall keep records of calculations used to verify the particulate matter emissions limitations for the sources of Source ID P104. These records shall be retained for a minimum of five years and shall be made available to the Department upon request.

**SECTION D. Source Level Requirements****V. REPORTING REQUIREMENTS.**

No additional reporting requirements exist except as provided in other sections of this permit including Section B (Title V General Requirements).

VI. WORK PRACTICE REQUIREMENTS.

003 [25 Pa. Code §127.441]

Operating permit terms and conditions.

[Additional authority for this permit condition is derived from 25 Pa. Code Sections 127.1, 127.12 and 127.511]

The particulate matter and fugitive emissions from the flyash transfer, storage and loadout equipment shall be controlled by:

1. a Midwest International retractable bulk loadout spout
2. a Midwest Vaculoader reverse pulse fabric collector
3. associated United Conveyor Corporation conveying equipment
4. United Conveyor Corporation dustless unloading equipment

VII. ADDITIONAL REQUIREMENTS.

004 [25 Pa. Code §127.441]

Operating permit terms and conditions.

(a) Source ID P104 is a flyash handling and disposal facility, consisting of all flyash transfer, storage and bulk loadout equipment.

(b) Particulate matter emissions from Source ID P104 shall be controlled by the ash conditioning equipment (IDs C104C and C104A) and fabric collector control systems (ID C104B) as are specifically described in the applications for plan approvals 47-399-010 and 47-399-010A and supplemental materials.

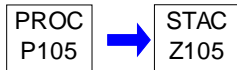
***** Permit Shield in Effect. *****

**SECTION D. Source Level Requirements**

Source ID: P105

Source Name: FLYASH DISPOSAL SITE

Source Capacity/Throughput:

**I. RESTRICTIONS.**

No additional requirements exist except as provided in other sections of this permit including Section B (Title V General Requirements).

II. TESTING REQUIREMENTS.

No additional testing requirements exist except as provided in other sections of this permit including Section B (Title V General Requirements).

III. MONITORING REQUIREMENTS.

No additional monitoring requirements exist except as provided in other sections of this permit including Section B (Title V General Requirements).

IV. RECORDKEEPING REQUIREMENTS.

No additional record keeping requirements exist except as provided in other sections of this permit including Section B (Title V General Requirements).

V. REPORTING REQUIREMENTS.

No additional reporting requirements exist except as provided in other sections of this permit including Section B (Title V General Requirements).

VI. WORK PRACTICE REQUIREMENTS.

No additional work practice requirements exist except as provided in other sections of this permit including Section B (Title V General Requirements).

VII. ADDITIONAL REQUIREMENTS.**# 001 [25 Pa. Code §127.441]****Operating permit terms and conditions.**

[Additional authority for this permit condition is derived from 25 Pa. Code Sections 127.1, 127.12 and 127.511]

Fugitive emissions from the flyash disposal site, and the roadways associated with both the disposal site and the ash loadout operation, shall be controlled by adherence to the fugitive emission control practices specifically described in plan approval application number 47-399-010 and supplemental materials including the letter from the Department dated March 11, 1983. (The truck wash station need not be used for all trucks loaded in the silo area. It is expected however that the truck wash station will be placed into use should circumstances dictate a need for its use.)

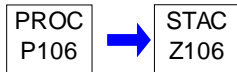
***** Permit Shield in Effect. *****

**SECTION D. Source Level Requirements**

Source ID: P106

Source Name: COAL STORAGE PILE

Source Capacity/Throughput:

**I. RESTRICTIONS.**

No additional requirements exist except as provided in other sections of this permit including Section B (Title V General Requirements).

II. TESTING REQUIREMENTS.

No additional testing requirements exist except as provided in other sections of this permit including Section B (Title V General Requirements).

III. MONITORING REQUIREMENTS.

No additional monitoring requirements exist except as provided in other sections of this permit including Section B (Title V General Requirements).

IV. RECORDKEEPING REQUIREMENTS.

No additional record keeping requirements exist except as provided in other sections of this permit including Section B (Title V General Requirements).

V. REPORTING REQUIREMENTS.

No additional reporting requirements exist except as provided in other sections of this permit including Section B (Title V General Requirements).

VI. WORK PRACTICE REQUIREMENTS.

No additional work practice requirements exist except as provided in other sections of this permit including Section B (Title V General Requirements).

VII. ADDITIONAL REQUIREMENTS.**# 001 [25 Pa. Code §127.441]****Operating permit terms and conditions.**

The coal storage pile of Source ID P106 is the outdoor area where bituminous coal is kept after being delivered to the facility either by railcar or by truck before being conveyed to processing mills for use in units #1 and #2 (Sources ID 031 and 032). There is approximately a one month supply of bituminous coal stored at the facility at Source ID P106.

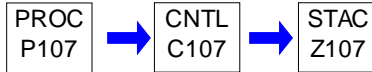
***** Permit Shield in Effect. *****

**SECTION D. Source Level Requirements**

Source ID: P107

Source Name: LIMESTONE HANDLING, PROCESSING, AND STORAGE OPERATIONS

Source Capacity/Throughput:

**I. RESTRICTIONS.****Emission Restriction(s).**

001 [25 Pa. Code §127.441]

Operating permit terms and conditions.

[Additional authority for this permit condition is derived from 25 Pa. Code Sections 127.1 and 127.12]

The total combined particulate matter emissions, including fugitive particulate matter, from Sources P107, P108 and P109 shall not exceed 23.54 tons in any 12 consecutive month period and the total combined particulate matter, including fugitive particulate matter, with an aerodynamic diameter of 10 microns or less, also known as PM10, shall not exceed 5.79 tons in any 12 consecutive month period.

Throughput Restriction(s).

002 [25 Pa. Code §127.441]

Operating permit terms and conditions.

[Additional authority for this permit condition is derived from 25 Pa. Code Sections 127.1 and 127.12]

No more than a combined total of 630,000 tons of limestone shall be delivered to Source P107 by railcar and truck in any 12 consecutive month period, of which no more than 315,000 tons of limestone shall be delivered to Source P107 by truck in any 12 consecutive month period.

II. TESTING REQUIREMENTS.

No additional testing requirements exist except as provided in other sections of this permit including Section B (Title V General Requirements).

III. MONITORING REQUIREMENTS.

No additional monitoring requirements exist except as provided in other sections of this permit including Section B (Title V General Requirements).

IV. RECORDKEEPING REQUIREMENTS.

003 [25 Pa. Code §127.441]

Operating permit terms and conditions.

(a) The permittee shall maintain accurate and comprehensive records of the following information:

(1) the total amount of limestone delivered to Source P107 by railcar each month.

(2) the total amount of limestone delivered to Source P107 by truck each month.

(b) All records generated pursuant to this condition shall be retained for a minimum of five years and shall be made available to the Department upon request.

**SECTION D. Source Level Requirements****V. REPORTING REQUIREMENTS.****# 004 [25 Pa. Code §127.441]****Operating permit terms and conditions.**

(a) The permittee shall submit to the Department on a semiannual basis a report which:

(1) lists the total amount of limestone delivered to Source P107 by railcar each month during the previous 12 consecutive month period.

(2) lists the total amount of limestone delivered to Source P107 by truck each month during the previous 12 consecutive month period.

(b) The semiannual reports shall be submitted by no later than March 1 (for the immediately-preceding January 1 through December 31 twelve consecutive month period) and September 1 (for the immediately-preceding July 1 through June 30 twelve consecutive month period).

VI. WORK PRACTICE REQUIREMENTS.**# 005 [25 Pa. Code §127.441]****Operating permit terms and conditions.**

If, at any time, Source P107, or any piece of equipment incorporated in Source P107, is determined by the Department to be causing the emission of fugitive particulate matter and/or fugitive PM10 emissions in excess of the applicable limitations specified in 25 Pa. Code Sections 123.1 and 123.2 or in excess of the level which the Department considers to be the "minimum attainable through the use of the best available technology", the permittee shall, upon notification by the Department, immediately install additional water spray dust suppression system spray nozzles and/or take such other control measures as are necessary to reduce the fugitive particulate matter and/or fugitive PM10 emissions to within the level deemed acceptable by the Department.

VII. ADDITIONAL REQUIREMENTS.**# 006 [25 Pa. Code §127.441]****Operating permit terms and conditions.**

[Additional authority for this permit condition is derived from 25 Pa. Code Sections 127.1 and 127.12]

An operable water truck shall be available at all times that Source P107 and/or Source P108 is/are in operation and shall be used, as needed, for the control of fugitive particulate matter and fugitive PM10 emissions from roadways, stockpiles, etc. The water truck shall be equipped with a pressurized water spray bar as well as with a pressurized spray gun or hose connection and shall be kept onsite and filled with water at all times Source P107 and/or Source P108 is/are in operation (except during the truck's transit to the refilling station). The permittee shall implement any effective winterization measures necessary to render this water truck capable of use under cold weather conditions.

007 [25 Pa. Code §127.441]**Operating permit terms and conditions.**

[Additional authority for this permit condition is derived from 25 Pa. Code Sections 127.1 and 127.12]

The permittee shall not operate non-vacuum type road sweepers on the roadways associated with Sources P107 and P108.

008 [25 Pa. Code §127.441]**Operating permit terms and conditions.**

[Additional authority for this permit condition is derived from 25 Pa. Code Sections 127.1 and 127.12]

The permittee shall establish, and enforce, a vehicle speed limit of 10 miles per hour on the roadways associated with Sources P107 and P108. This speed limit shall be posted in highly visible locations along the respective roadways.

009 [25 Pa. Code §127.441]**Operating permit terms and conditions.**

[Additional authority for this permit condition is derived from 25 Pa. Code Sections 127.1 and 127.12]

**SECTION D. Source Level Requirements**

All trucks loaded with limestone which enter or exit the facility via a public roadway shall either be fully enclosed or have their loads tarped. This requirement shall be posted in highly visible locations within the facility.

010 [25 Pa. Code §127.441]**Operating permit terms and conditions.**

[Additional authority for this permit condition is derived from 25 Pa. Code Sections 127.1 and 127.12]

At least two self-service truck tire washing stations shall be available for use in the area of the site in which Sources P107 and P108 are located. At least one of the stations shall be located in the limestone truck unloading area associated with Source P107.

011 [25 Pa. Code §127.441]**Operating permit terms and conditions.**

Source P107 is a limestone handling, processing and storage operation consisting of the following equipment:

Railcar Limestone Unloading System Equipment:

Facility Item #HOP-11: Track hopper

Facility Item #HOP-12: Track hopper

Facility Item #FB-11: Feed belt conveyor, 60" x 19' or 44'

Facility Item #FB-12: Feed belt conveyor, 60" x 19' or 44'

Facility Item #CV-10: Stacking conveyor, 48"x 850'

Facility Item #CH-10: Telescoping discharge chute

Limestone Reclaim System Equipment:

Facility Item #HOP-13: Reclaim hopper

Facility Item #HOP-14: Reclaim hopper

Facility Item #VPF-13: Vibrating pan feeder

Facility Item #VPF-14: Vibrating pan feeder

Facility Item #CV-11: Reclaim conveyor, 30"x 1800'

Equipment Located Inside Limestone Preparation Building:

Facility Item #CV-12: Silo fill conveyor, 30"x 41'

Limestone silo 'A', 1344 ton capacity

Limestone silo 'B', 1344 ton capacity

and associated active and inactive limestone storage piles.

012 [25 Pa. Code §127.441]**Operating permit terms and conditions.**

[Additional authority for this permit condition is derived from 25 Pa. Code Sections 127.1 and 127.12]

The air contaminant emissions from Source P107 shall be controlled by two Dust Solutions, Inc., Dry Fog Mister water spray dust suppression systems (C107), one of which shall be associated with the railcar limestone unloading system and one of which shall be associated with the limestone reclaim system.

013 [25 Pa. Code §127.441]**Operating permit terms and conditions.**

[Additional authority for this permit condition is derived from 25 Pa. Code Sections 127.1 and 127.12]

(a) The water spray dust suppression systems incorporated in C107 shall be equipped with winterization systems to allow for operation during cold weather. Additionally, they shall be equipped with filters or strainers to remove particles which could clog spray nozzles. C107 shall, at a minimum, incorporate the following spray nozzles at the following locations:

Railcar Limestone Unloading System

**SECTION D. Source Level Requirements**

(1) 48 nozzles at the discharge of the rail car into the track hoppers (Facility Item #'s HOP-11 and HOP-12)

Limestone Reclaim System

(2) 2 nozzles at the discharge of the vibrating pan feeder (Facility Item # VPF-13)

(3) 2 nozzles at the discharge of the vibrating pan feeder (Facility Item # VPF-14)

(b) More spray nozzles may be added without the necessity of obtaining Department approval but none of those identified herein may be omitted, deleted or removed without prior Department approval.

014 [25 Pa. Code §127.441]

Operating permit terms and conditions.

[Additional authority for this permit condition is derived from 25 Pa. Code Sections 127.1 and 127.12]

Each water spray dust suppression system incorporated in C107 shall be connected to an on-demand water source capable of delivering an adequate supply of water at any time that portion of Source P107 associated with the respective water spray dust suppression system is in operation. On-demand shall be interpreted as meaning that adequate water can be provided to all spray nozzles incorporated in the respective water spray dust suppression system at any time with no more effort than turning a valve. If at any time the water spray dust suppression system associated with the railcar limestone unloading system is inoperable or is not being supplied with an adequate amount of water the permittee shall immediately cease operation of the railcar limestone unloading system. If at any time the water spray dust suppression system associated with the limestone reclaim system is inoperable or is not being supplied with an adequate amount of water the permittee shall immediately cease operation of the limestone reclaim system.

015 [25 Pa. Code §127.441]

Operating permit terms and conditions.

[Additional authority for this permit condition is derived from 25 Pa. Code Sections 127.1 and 127.12]

All conveyors incorporated in Source P107 shall be fully enclosed or equipped with 3-sided covers (top and two sides) except those conveyors or portions of conveyors which are located underground or inside a fully enclosed building, in which case enclosures or covers are not required, and the portion of the conveyor which crosses over Strawberry Ridge Road (Facility Item # CV-11), in which case full enclosure is required.

016 [25 Pa. Code §127.441]

Operating permit terms and conditions.

[Additional authority for this permit condition is derived from 25 Pa. Code Sections 127.1 and 127.12]

All railcars delivering limestone to Source P107 shall be unloaded inside of an enclosure and shall be unloaded through the bottom of the railcars into a track level hopper.

017 [25 Pa. Code §127.441]

Operating permit terms and conditions.

[Additional authority for this permit condition is derived from 25 Pa. Code Sections 127.1 and 127.12]

Limestone shall be reclaimed from the active limestone storage pile only by use of the underground reclaim system associated with the respective storage pile and incorporated in Source P107.

018 [25 Pa. Code §127.441]

Operating permit terms and conditions.

[Additional authority for this permit condition is derived from 25 Pa. Code Sections 127.1 and 127.12]

Limestone storage silos 'A' and 'B' incorporated in Source P107 shall be located inside the enclosed limestone preparation building. The vents from limestone storage silos 'A' and 'B' shall each be equipped with a fabric collector exhausted to the inside of the limestone preparation building. All means of access to the limestone preparation building such as windows, doors, etc. shall be kept closed during any time that the conveyors and silos, which are located within the limestone preparation building, are in operation.



SECTION D. Source Level Requirements

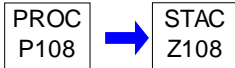
***** Permit Shield in Effect. *****

**SECTION D. Source Level Requirements**

Source ID: P108

Source Name: GYPSUM SLUDGE HANDLING, PROCESSING AND STORAGE OPERATION

Source Capacity/Throughput:

**I. RESTRICTIONS.****Emission Restriction(s).****# 001 [25 Pa. Code §127.441]****Operating permit terms and conditions.**

[Additional authority for this permit condition is derived from 25 Pa. Code Sections 127.1 and 127.12]

The total combined particulate matter emissions, including fugitive particulate matter, from Sources P107, P108 and P109 shall not exceed 23.54 tons in any 12 consecutive month period and the total combined particulate matter, including fugitive particulate matter, with an aerodynamic diameter of 10 microns or less, also known as PM10, shall not exceed 5.79 tons in any 12 consecutive month period.

Throughput Restriction(s).**# 002 [25 Pa. Code §127.441]****Operating permit terms and conditions.**

[Additional authority for this permit condition is derived from 25 Pa. Code Sections 127.1 and 127.12]

No more than 1,080,000 tons of gypsum sludge shall be handled or processed by Source P108 in any 12 consecutive month period.

II. TESTING REQUIREMENTS.

No additional testing requirements exist except as provided in other sections of this permit including Section B (Title V General Requirements).

III. MONITORING REQUIREMENTS.

No additional monitoring requirements exist except as provided in other sections of this permit including Section B (Title V General Requirements).

IV. RECORDKEEPING REQUIREMENTS.**# 003 [25 Pa. Code §127.441]****Operating permit terms and conditions.**

(a) The permittee shall maintain accurate and comprehensive records of the amount of gypsum sludge handled or processed by Source P108 each month.

(b) All records generated pursuant to this condition shall be retained for a minimum of five years and shall be made available to the Department upon request.

V. REPORTING REQUIREMENTS.**# 004 [25 Pa. Code §127.441]****Operating permit terms and conditions.**

(a) The permittee shall submit to the Department on a semiannual basis a report which lists the amount of gypsum sludge handled or processed by Source P108 each month during the previous 12 consecutive month period.

(b) The semiannual reports shall be submitted by no later than March 1 (for the immediately-preceding January 1 through

**SECTION D. Source Level Requirements**

December 31 twelve consecutive month period) and September 1 (for the immediately-preceding July 1 through June 30 twelve consecutive month period).

VI. WORK PRACTICE REQUIREMENTS.**# 005 [25 Pa. Code §127.441]****Operating permit terms and conditions.**

If, at any time, Source P108, or any piece of equipment incorporated in Source P108, is determined by the Department to be causing the emission of fugitive particulate matter and/or fugitive PM10 emissions in excess of the applicable limitations specified in 25 Pa. Code Sections 123.1 and 123.2 or in excess of the level which the Department considers to be the "minimum attainable through the use of the best available technology", the permittee shall, upon notification by the Department, immediately install additional water spray dust suppression system spray nozzles and/or take such other control measures as are necessary to reduce the fugitive particulate matter and/or fugitive PM10 emissions to within the level deemed acceptable by the Department.

VII. ADDITIONAL REQUIREMENTS.**# 006 [25 Pa. Code §127.441]****Operating permit terms and conditions.**

[Additional authority for this permit condition is derived from 25 Pa. Code Sections 127.1 and 127.12]

All conveyors incorporated in Source P108 shall be fully enclosed or equipped with 3-sided covers (top and two sides) except those conveyors or portions of conveyors which are located underground or inside a fully enclosed building, in which case enclosures or covers are not required, and the portions of the gypsum sludge conveyors which cross Strawberry Ridge Road (Facility Item #'s CV-50A and CV-50B), in which case full enclosure is required.

007 [25 Pa. Code §127.441]**Operating permit terms and conditions.**

[Additional authority for this permit condition is derived from 25 Pa. Code Sections 127.1 and 127.12]

All trucks loaded with gypsum sludge or a mixture of gypsum sludge and ash which enter or exit the facility via a public roadway shall either be fully enclosed or have their loads tarped. This requirement shall be posted in highly visible locations within the facility.

008 [25 Pa. Code §127.441]**Operating permit terms and conditions.**

Source P108 is a gypsum sludge handling, processing and storage operation consisting of the following equipment:

Three-vacuum filters

Facility Item # CV-50A: Gypsum sludge transfer conveyor, 30"x 1660'

Facility Item # CV-50B: Gypsum sludge transfer conveyor, 30"x 1660'

Facility Item # CV-53: Gypsum sludge stackout conveyor, 30"x 436'

and associated gypsum sludge storage pile and blended gypsum sludge and ash storage pile.

009 [25 Pa. Code §127.441]**Operating permit terms and conditions.**

[Additional authority for this permit condition is derived from 25 Pa. Code Sections 127.1 and 127.12]

The permittee shall establish, and enforce, a vehicle speed limit of 10 miles per hour on the roadways associated with Sources P107 and P108. This speed limit shall be posted in highly visible locations along the respective roadways.

010 [25 Pa. Code §127.441]**Operating permit terms and conditions.**

[Additional authority for this permit condition is derived from 25 Pa. Code Sections 127.1 and 127.12]

**SECTION D. Source Level Requirements**

At least two self-service truck tire washing stations shall be available for use in the area of the site in which Sources P107 and P108 are located. At least one of the stations shall be located in the limestone truck unloading area associated with Source P107.

011 [25 Pa. Code §127.441]

Operating permit terms and conditions.

[Additional authority for this permit condition is derived from 25 Pa. Code Sections 127.1 and 127.12]

The permittee shall not operate non-vacuum type road sweepers on the roadways associated with Sources P107 and P108.

012 [25 Pa. Code §127.441]

Operating permit terms and conditions.

[Additional authority for this permit condition is derived from 25 Pa. Code Sections 127.1 and 127.12]

An operable water truck shall be available at all times that Source P107 and/or Source P108 is/are in operation and shall be used, as needed, for the control of fugitive particulate matter and fugitive PM10 emissions from roadways, stockpiles, etc. The water truck shall be equipped with a pressurized water spray bar as well as with a pressurized spray gun or hose connection and shall be kept onsite and filled with water at all times Source P107 and/or Source P108 is/are in operation (except during the truck's transit to the refilling station). The permittee shall implement any effective winterization measures necessary to render this water truck capable of use under cold weather conditions.

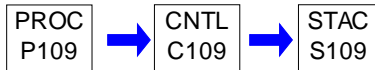
***** Permit Shield in Effect. *****

**SECTION D. Source Level Requirements**

Source ID: P109

Source Name: WASTEWATER TREATMENT LIME STORAGE SILO

Source Capacity/Throughput:

**I. RESTRICTIONS.****Emission Restriction(s).****# 001 [25 Pa. Code §127.441]****Operating permit terms and conditions.**

[Additional authority for this permit condition is derived from 25 Pa. Code Sections 127.1 and 127.12]

The total combined particulate matter emissions, including fugitive particulate matter, from Sources P107, P108 and P109 shall not exceed 23.54 tons in any 12 consecutive month period and the total combined particulate matter, including fugitive particulate matter, with an aerodynamic diameter of 10 microns or less, also known as PM10, shall not exceed 5.79 tons in any 12 consecutive month period.

002 [25 Pa. Code §127.441]**Operating permit terms and conditions.**

[Additional authority for this permit condition is derived from 25 Pa. Code Sections 127.1 and 127.12]

[Compliance with this permit condition assures compliance with 25 Pa. Code Section 123.13]

The concentration of particulate matter (including particulate matter with an aerodynamic diameter of 10 microns or less, also known as PM10) in the exhaust of C109 shall not be in excess of 0.01 grains per dry standard cubic foot of effluent gas volume at any time and 0.15 tons in any twelve consecutive month period.

II. TESTING REQUIREMENTS.

No additional testing requirements exist except as provided in other sections of this permit including Section B (Title V General Requirements).

III. MONITORING REQUIREMENTS.**# 003 [25 Pa. Code §127.441]****Operating permit terms and conditions.**

[Additional authority for this permit condition is derived from 25 Pa. Code Sections 127.1 and 127.12]

All occurrences of Source P109 loading shall be monitored to ensure that fugitive particulate matter emissions (including particulate matter with an aerodynamic diameter of 10 microns or less, also known as PM10) are not occurring.

004 [25 Pa. Code §127.441]**Operating permit terms and conditions.**

[Additional authority for this permit condition is derived from 25 Pa. Code Sections 127.1 and 127.12]

C109 shall be equipped with instrumentation to continuously monitor the differential pressure across the collector.

IV. RECORDKEEPING REQUIREMENTS.**# 005 [25 Pa. Code §127.441]****Operating permit terms and conditions.**

(a) The permittee shall maintain accurate and comprehensive records of the number of lime truck deliveries to Source P109 each month.

(b) All records generated pursuant to this condition shall be retained for a minimum of five years and shall be made

**SECTION D. Source Level Requirements**

available to the Department upon request.

V. REPORTING REQUIREMENTS.

006 [25 Pa. Code §127.441]

Operating permit terms and conditions.

(a) The permittee shall submit to the Department on an annual basis a report which identifies the number of lime truck deliveries to Source P109 each month.

(b) The annual report shall be submitted to the Department by no later than March 1 of each year for the immediately-preceding January 1 through December 31 twelve month period.

VI. WORK PRACTICE REQUIREMENTS.

007 [25 Pa. Code §127.441]

Operating permit terms and conditions.

[Additional authority for this permit condition is derived from 25 Pa. Code Sections 127.1 and 127.12]

A sufficient quantity of spare fabric bags for C109 shall be kept on hand at all times in order to immediately replace any worn or damaged bags due to deterioration resulting from routine operation of Source P109 and C109.

VII. ADDITIONAL REQUIREMENTS.

008 [25 Pa. Code §127.441]

Operating permit terms and conditions.

Source P109 is a wastewater treatment lime storage silo with a capacity of 300 tons.

009 [25 Pa. Code §127.441]

Operating permit terms and conditions.

[Additional authority for this permit condition is derived from 25 Pa. Code Sections 127.1 and 127.12]

The particulate matter/PM10 emissions from Source P109 shall be controlled by a bin vent fabric collector (C109).

010 [25 Pa. Code §127.441]

Operating permit terms and conditions.

[Additional authority for this permit condition is derived from 25 Pa. Code Sections 127.1 and 127.12]

All lime removed from Source P109 shall be discharged into an enclosed system.

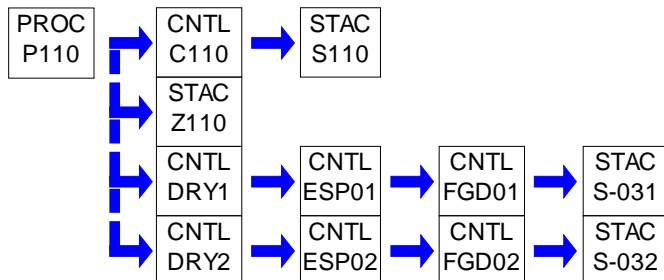
***** Permit Shield in Effect. *****

**SECTION D. Source Level Requirements**

Source ID: P110

Source Name: SORBENT DELIVER, HANDLE, STORE, AND INJECT OPERATIONS

Source Capacity/Throughput:

**I. RESTRICTIONS.****Emission Restriction(s).****# 001 [25 Pa. Code §127.441]****Operating permit terms and conditions.**

(a) Pursuant to best available technology requirements of 25 Pa. Code Sections 127.1 and 127.12, the concentration of particulate matter (including particulate matter with an aerodynamic diameter of 10 microns or less, also known as PM-10) in the exhaust of each bin vent filter of ID C110 shall not be in excess of 0.005 grain per dry standard cubic foot of effluent gas volume at any time and a total, combined 0.53 ton in any 12 consecutive month period.

(b) The emission of particulate matter with an aerodynamic diameter of 2.5 microns or less, also known as PM-2.5 from ID C110 into the outdoor atmosphere shall not be in excess of 0.16 ton in any 12 consecutive month period.

002 [25 Pa. Code §127.441]**Operating permit terms and conditions.**

Pursuant to best available technology requirements of 25 Pa. Code Sections 127.1 and 127.12, no person shall allow the emission of fugitive particulate matter including PM-10 during the period of time when unloading of sorbent is occurring at the unloading areas associated with the four (4) sorbent silos of Source ID P110.

II. TESTING REQUIREMENTS.

No additional testing requirements exist except as provided in other sections of this permit including Section B (Title V General Requirements).

III. MONITORING REQUIREMENTS.**# 003 [25 Pa. Code §127.441]****Operating permit terms and conditions.**

Each bin vent filter of ID C110 shall be equipped with instrumentation to accurately and continuously monitor the differential pressure across the filters of each bin vent filter of ID C110.

IV. RECORDKEEPING REQUIREMENTS.**# 004 [25 Pa. Code §127.441]****Operating permit terms and conditions.**

(a) The monitored differential pressure readings across the filters of ID C110 shall be recorded by the data collection system at least once per operating shift.

(b) Pursuant to 40 CFR 70.6(a)(3)(B), the monitoring data generated to maintain these records including all supporting information defined in §70.6(a)(3)(B) shall be kept for a minimum of five (5) years and shall be made available to the Department upon request.

**SECTION D. Source Level Requirements****# 005 [25 Pa. Code §127.441]****Operating permit terms and conditions.**

- (a) The permittee shall keep accurate and comprehensive records of the number of sorbent truck deliveries to Source ID P110 each month.
- (b) Pursuant to 40 CFR 70.6(a)(3)(B), the monitoring data generated to maintain these records including all supporting information defined in §70.6(a)(3)(B) shall be kept for a minimum of five (5) years and shall be made available to the Department upon request.

V. REPORTING REQUIREMENTS.**# 006 [25 Pa. Code §127.441]****Operating permit terms and conditions.**

- (a) The permittee shall submit to the Department on an annual basis a report which identifies the number of sorbent truck deliveries to Source ID P110 each month.
- (b) The annual report shall be submitted to the Department by no later than March 1 of each year for the immediately preceding period from January 1 through December 31.

VI. WORK PRACTICE REQUIREMENTS.**# 007 [25 Pa. Code §127.441]****Operating permit terms and conditions.**

Pursuant to the best available technology requirements of 25 Pa. Code Section 127.1 and 127.12, the permittee shall not operate any non-vacuum-type road sweepers on the roadways associated with Source ID P110.

008 [25 Pa. Code §127.441]**Operating permit terms and conditions.**

A sufficient quantity of spare fabric filters for ID C110 shall be kept on hand at all times in order to immediately replace any worn or damaged filters due to deterioration resulting from routine operation of silos associated with Source ID P110 and ID C110.

009 [25 Pa. Code §127.441]**Operating permit terms and conditions.**

There shall be a high alarm set for the monitored pressure drop across the filters of ID C110.

010 [25 Pa. Code §127.441]**Operating permit terms and conditions.**

The air compressors associated with Source ID P110 shall be equipped with aftercooler separator and pre-filter which drain to an oil water separator and desiccant bed dryer.

VII. ADDITIONAL REQUIREMENTS.**# 011 [25 Pa. Code §127.441]****Operating permit terms and conditions.**

Pursuant to best available technology requirements of 25 Pa. Code Section 127.1 and 127.12, all sorbent from the silos associated with Source ID P110 shall be discharged into an enclosed system which is associated with IDs DRY1 and DRY2.

012 [25 Pa. Code §127.441]**Operating permit terms and conditions.**

If, at any time, Source ID P110, or any piece of equipment incorporated in Source ID P110, is determined by the Department to be causing the emission of fugitive particulate matter and/or fugitive PM10 emissions in excess of the limitations herein, applicable limitations specified in 25 Pa. Code Sections 123.1 and 123.2, or in excess of the level which the Department considers to be the "minimum attainable through the use of the best available technology", the permittee shall, upon

**SECTION D. Source Level Requirements**

notification by the Department, immediately employ control measures as are necessary to reduce the fugitive particulate matter and/or fugitive PM10 emissions to within the level deemed acceptable by the Department.

013 [25 Pa. Code §127.441]**Operating permit terms and conditions.**

Source ID P110 includes four (4) sorbent silos each with a capacity to store 80 tons of sorbent, and the two (2) associated delivery, handling and storage operations for the sorbent injection systems associated with IDs DRY1 and DRY2, as specified in the Plan Approval 47-00001D application and supplementary documentation. CE Boiler Unit 1 (Source ID 031) and CE Boiler Unit 2 (Source ID 032) are each equipped with an individual sorbent injection system.

014 [25 Pa. Code §127.441]**Operating permit terms and conditions.**

Pursuant to best available technology requirements of 25 Pa. Code Section 127.1 and 127.12, the particulate matter/PM-10/PM-2.5 emissions from each silo of Source ID P110 shall be controlled by a bin vent filter. ID C110 consists of four (4) bin vent filters.

***** Permit Shield in Effect. *****

**SECTION D. Source Level Requirements**

Source ID: P301

Source Name: TWO (2) DIESEL-FIRED ENGINE-PUMPS

Source Capacity/Throughput:

**I. RESTRICTIONS.****Emission Restriction(s).****# 001 [25 Pa. Code §123.13]****Processes**

No person may permit the emission of particulate matter from each engine associated with Source ID P301 into the outdoor atmosphere in a manner that the concentration in the engine's exhaust exceeds 0.04 grain per dry standard cubic foot.

002 [25 Pa. Code §123.21]**General**

No person may permit the emission into the outdoor atmosphere of sulfur oxides, expressed as SO₂, from each engine associated with Source ID P301 in a manner that the concentration of the sulfur oxides in the engine's exhaust exceeds 500 parts per million, by volume, dry basis.

003 [25 Pa. Code §127.441]**Operating permit terms and conditions.**

Pursuant to the best available technology provision of 25 Pa. Code Sections 127.1 and 127.12, the emissions from each of the diesel-fired engines associated with Source ID P301 shall not exceed:

- a) 6.9 grams of nitrogen oxides (NO_x) per brake horsepower-hour and 0.7 ton in any 12 consecutive month period
- b) 2.0 grams of carbon monoxide (CO) per brake horsepower-hour and 0.202 ton in any 12 consecutive month period
- c) 1.0 gram of total hydrocarbons per brake horsepower-hour and 0.101 ton in any 12 consecutive month period
- d) 0.4 gram of particulate matter (including particulate matter with an aerodynamic diameter of less than or equal to 10 microns) per brake horsepower-hour and 0.041 ton in any 12 consecutive month period.

004 [40 CFR Part 60 Standards of Performance for New Stationary Sources §40 CFR 60.4205]**Subpart III - Standards of Performance for Stationary Compression Ignition Internal Combustion Engines****What emission standards must I meet for emergency engines if I am an owner or operator of a stationary CI internal co**

The permittee shall operate Source ID P301 in a manner such that the rate of emissions do not exceed the following limitations:

- (i) Nitrogen Oxide and Non-methane Hydrocarbons (NO_x + NMHC)- 7.8 grams per horsepower-hour
- (ii) Carbon Monoxide (CO) - 2.6 grams per horsepower-hour
- (iii) Particulate Matter (PM) - 0.40 grams per horsepower-hour

Fuel Restriction(s).**# 005 [25 Pa. Code §127.441]****Operating permit terms and conditions.**

[Compliance with the requirements of this streamlined permit condition will assure compliance with the provisions of 40 CFR §§ 60.4207 and 80.510(b)]

(a) Pursuant to the best available technology provision of 25 Pa. Code Sections 127.1 and 127.12, the diesel engines shall only be fired on virgin diesel fuel or #2 fuel oil to which no reclaimed or reporeprocessed oil or other waste materials have been added. Additionally, the sulfur content shall not, at any time, exceed 0.0015% (by weight).

**SECTION D. Source Level Requirements**

- (b) The diesel fuel fired in Source ID P301 shall comply with one of the following per-gallon standards:
- (i) A minimum cetane index of 40; or
 - (ii) A maximum aromatic content of 35 volume percent.

Operation Hours Restriction(s).**# 006 [25 Pa. Code §127.441]****Operating permit terms and conditions.**

Pursuant to the best available technology provision of 25 Pa. Code Sections 127.1 and 127.12, each diesel-fired engine shall not be operated more than 500 hours in any 12 consecutive month period.

007 [40 CFR Part 60 Standards of Performance for New Stationary Sources §40 CFR 60.4211]**Subpart III - Standards of Performance for Stationary Compression Ignition Internal Combustion Engines****What are my compliance requirements if I am an owner or operator of a stationary CI internal combustion engine?**

The permittee shall operate Source ID P301 according to the requirements in paragraphs (1) through (3). Any operation other than emergency operation, maintenance and testing, emergency demand response, and operation in non-emergency situations for 50 hours per year, as described in paragraphs (1) through (3), is prohibited.

(1) There is no time limit on the use of Source ID P301 in emergency situations, except the 500 hour per 12 consecutive month period limitation on total operation of the engine as established under BAT.

(2) The permittee may operate Source ID P301 for the purposes specified in paragraphs (2)(i) and (3) for a combined maximum of 100 hours per calendar year.

(i) Source ID P301 may be operated for maintenance checks and readiness testing, provided that the tests are recommended by federal, state or local government, the manufacturer, the vendor, the regional transmission organization or equivalent balancing authority and transmission operator, or the insurance company associated with the engine. The permittee may petition the Department for approval of additional hours to be used for maintenance checks and readiness testing, but a petition is not required if the permittee maintains records indicating that federal, state, or local standards require maintenance and testing of Source ID P301 beyond 100 hours per calendar year.

(3) Source ID P301 may be operated for up to 50 hours per calendar year in non-emergency situations. The 50 hours of operation in non-emergency situations are counted as part of the 100 hours per calendar year for maintenance and testing provided in paragraph (2). The 50 hours per year for non-emergency situations cannot be used for peak shaving or non-emergency demand response, or to generate income for a facility to supply power to an electric grid or otherwise supply power as part of a financial arrangement with another entity.

II. TESTING REQUIREMENTS.**# 008 [25 Pa. Code §127.441]****Operating permit terms and conditions.**

[Additional authority for this permit condition is derived from 25 Pa. Code Section 127.511]

(a) The permittee shall perform tests or obtain a fuel certification report of the percent sulfur by weight of each delivery of #2 oil or diesel fuel for the engines associated with Source ID 301. OR The permittee shall keep records of fuel certification reports obtained yearly from the #2 fuel oil or diesel fuel supplier containing the name of the supplier and stating that the sulfur percentage for each shipment of fuel delivered to the facility for the engines associated with Source ID P301 during the year shall not exceed 0.0015% by weight.

(b) All testing and certification reports shall be in accordance with the provisions of 25 Pa. Code Chapter 139.

III. MONITORING REQUIREMENTS.

No additional monitoring requirements exist except as provided in other sections of this permit including Section B (Title V General Requirements).

**SECTION D. Source Level Requirements****IV. RECORDKEEPING REQUIREMENTS.****# 009 [25 Pa. Code §127.441]****Operating permit terms and conditions.**

The permittee shall maintain comprehensive and accurate records of the number of hours that each diesel-fired engine associated with Source ID P301 operates each month as well as the amount and type of fuel used in each diesel-fired engine associated with Source ID P301 each month.

010 [25 Pa. Code §127.441]**Operating permit terms and conditions.**

[Additional authority for this permit condition is derived from 25 Pa. Code Section 127.511]

(a) The permittee shall keep test analyses or fuel oil certifications for FML301 to verify compliance with the 0.0015% by weight sulfur content limitation, of the #2 fuel oil or diesel fuel used to operate the engines associated with Source ID P301.

(b) These records shall be retained for a minimum of five (5) years and shall be made available to the Department upon request.

V. REPORTING REQUIREMENTS.

No additional reporting requirements exist except as provided in other sections of this permit including Section B (Title V General Requirements).

VI. WORK PRACTICE REQUIREMENTS.**# 011 [40 CFR Part 60 Standards of Performance for New Stationary Sources §40 CFR 60.4211]****Subpart III - Standards of Performance for Stationary Compression Ignition Internal Combustion Engines****What are my compliance requirements if I am an owner or operator of a stationary CI internal combustion engine?**

The permittee shall comply with the following for Source ID P301:

- (a) Operate and maintain Source ID P301 according to the manufacturer's emission-related written instructions;
- (2) Change only those emission-related settings that are permitted by the manufacturer; and
- (3) Meet the applicable requirements of 40 CFR parts 89, 94 and/or 1068.

012 [40 CFR Part 60 Standards of Performance for New Stationary Sources §40 CFR 60.4211]**Subpart III - Standards of Performance for Stationary Compression Ignition Internal Combustion Engines****What are my compliance requirements if I am an owner or operator of a stationary CI internal combustion engine?**

Pursuant to 40 CFR § 60.4211(b), the permittee shall demonstrate compliance with the requirements of NSPS Subpart III for Source ID P301 according to one of the following methods:

- (1) Purchasing an engine certified according to 40 CFR part 89 or 40 CFR part 94, as applicable, for the same model year and maximum engine power. The engine must be installed and configured according to the manufacturer's specifications.
- (2) Keeping records of performance test results for each pollutant for a test conducted on a similar engine. The test must have been conducted using the same methods specified in this subpart and these methods must have been followed correctly.
- (3) Keeping records of engine manufacturer data indicating compliance with the standards.
- (4) Keeping records of control device vendor data indicating compliance with the standards.
- (5) Conducting an initial performance test to demonstrate compliance with the emission standards according to the requirements specified in §60.4212, as applicable.

**SECTION D. Source Level Requirements****VII. ADDITIONAL REQUIREMENTS.****# 013 [25 Pa. Code §127.441]****Operating permit terms and conditions.**

Source ID P301 consists of two (2) 210 bhp John Deere Model JU6H-UF50 diesel-fired engines which are certified fire pump engines.

014 [25 Pa. Code §127.441]**Operating permit terms and conditions.**

The reciprocating internal combustion engines included in Source ID P301 are subject to 40 CFR Part 60 Subpart IIII - Standards of Performance for Stationary Compression Ignition Internal Combustion Engines. The permittee shall comply with all applicable requirements of 40 CFR §§ 60.4200 - 60.4219 for Source ID P301.

015 [25 Pa. Code §127.441]**Operating permit terms and conditions.**

The reciprocating internal combustion engines included in Source ID P301 are subject to 40 CFR Part 63 Subpart ZZZZ - National Emissions Standards for Hazardous Air Pollutants for Stationary Reciprocating Internal Combustion Engines.

Pursuant to 40 CFR §63.6590(c)(6), the permittee shall meet the requirements of Subpart ZZZZ through compliance with the requirements of 40 CFR Part 60 Subpart IIII. No further requirements apply for Source ID P301 under Subpart ZZZZ.

***** Permit Shield in Effect. *****

**SECTION D. Source Level Requirements**

Source ID: P302

Source Name: EMERGENCY SERVICE WATER PUMP 1A

Source Capacity/Throughput:

**I. RESTRICTIONS.****Emission Restriction(s).****# 001 [25 Pa. Code §123.13]****Processes**

No person may permit the emission of particulate matter from each engine associated with Source ID P302 into the outdoor atmosphere in a manner that the concentration in the engine's exhaust exceeds 0.04 grain per dry standard cubic foot.

002 [25 Pa. Code §123.21]**General**

No person may permit the emission into the outdoor atmosphere of sulfur oxides, expressed as SO₂, from each engine associated with Source ID P302 in a manner that the concentration of the sulfur oxides in the engine's exhaust exceeds 500 parts per million, by volume, dry basis.

003 [40 CFR Part 60 Standards of Performance for New Stationary Sources §40 CFR 60.4205]**Subpart III - Standards of Performance for Stationary Compression Ignition Internal Combustion Engines****What emission standards must I meet for emergency engines if I am an owner or operator of a stationary CI internal combustion engine?**

The permittee shall operate Source ID P302 in a manner such that the rate of emissions do not exceed the following limitations:

- (i) Nitrogen Oxide and Non-methane Hydrocarbons (NO_x + NMHC)- 3.0 grams per horsepower-hour
- (ii) Particulate Matter (PM) - 0.15 grams per horsepower-hour

Fuel Restriction(s).**# 004 [40 CFR Part 60 Standards of Performance for New Stationary Sources §40 CFR 60.4207]****Subpart III - Standards of Performance for Stationary Compression Ignition Internal Combustion Engines****What fuel requirements must I meet if I am an owner or operator of a stationary CI internal combustion engine subject to this permit?**

[Compliance with the requirements of this streamlined permit condition will assure compliance with the provisions of 40 CFR 80.510(b)]

All diesel fuel fired in Source ID P302 shall comply with the following per-gallon standards:

- (1) Sulfur content.
 - (i) 15 ppm maximum.
- (2) Cetane index or aromatic content, as follows:
 - (i) A minimum cetane index of 40; or
 - (ii) A maximum aromatic content of 35 volume percent.

Operation Hours Restriction(s).**# 005 [40 CFR Part 60 Standards of Performance for New Stationary Sources §40 CFR 60.4211]****Subpart III - Standards of Performance for Stationary Compression Ignition Internal Combustion Engines****What are my compliance requirements if I am an owner or operator of a stationary CI internal combustion engine?**

The permittee shall operate Source ID P302 according to the requirements in paragraphs (1) through (3). Any operation other than emergency operation, maintenance and testing, emergency demand response, and operation in non-emergency

**SECTION D. Source Level Requirements**

situations for 50 hours per year, as described in paragraphs (1) through (3), is prohibited.

(1) There is no time limit on the use of Source ID P302 in emergency situations.

(2) The permittee may operate Source ID P302 for the purposes specified in paragraphs (2)(i) and (3) for a combined maximum of 100 hours per calendar year.

(i) Source ID P302 may be operated for maintenance checks and readiness testing, provided that the tests are recommended by federal, state or local government, the manufacturer, the vendor, the regional transmission organization or equivalent balancing authority and transmission operator, or the insurance company associated with the engine. The permittee may petition the Department for approval of additional hours to be used for maintenance checks and readiness testing, but a petition is not required if the permittee maintains records indicating that federal, state, or local standards require maintenance and testing of Source ID P302 beyond 100 hours per calendar year.

(3) Source ID P302 may be operated for up to 50 hours per calendar year in non-emergency situations. The 50 hours of operation in non-emergency situations are counted as part of the 100 hours per calendar year for maintenance and testing provided in paragraph (2). The 50 hours per year for non-emergency situations cannot be used for peak shaving or non-emergency demand response, or to generate income for a facility to supply power to an electric grid or otherwise supply power as part of a financial arrangement with another entity.

II. TESTING REQUIREMENTS.

No additional testing requirements exist except as provided in other sections of this permit including Section B (Title V General Requirements).

III. MONITORING REQUIREMENTS.

No additional monitoring requirements exist except as provided in other sections of this permit including Section B (Title V General Requirements).

IV. RECORDKEEPING REQUIREMENTS.

006 [25 Pa. Code §127.441]

Operating permit terms and conditions.

The permittee shall maintain comprehensive and accurate records of the number of hours that the diesel-fired engine associated with Source ID P302 operates on an annual basis as well as the amount and type of fuel used in the diesel-fired engine associated with Source ID P302 on an annual basis.

V. REPORTING REQUIREMENTS.

No additional reporting requirements exist except as provided in other sections of this permit including Section B (Title V General Requirements).

VI. WORK PRACTICE REQUIREMENTS.

007 [40 CFR Part 60 Standards of Performance for New Stationary Sources §40 CFR 60.4211]

Subpart III - Standards of Performance for Stationary Compression Ignition Internal Combustion Engines**What are my compliance requirements if I am an owner or operator of a stationary CI internal combustion engine?**

The permittee shall comply with the following for Source ID P302:

(a) Operate and maintain Source ID P302 according to the manufacturer's emission-related written instructions;

(2) Change only those emission-related settings that are permitted by the manufacturer; and

**SECTION D. Source Level Requirements**

(3) Meet the applicable requirements of 40 CFR parts 89, 94 and/or 1068.

008 [40 CFR Part 60 Standards of Performance for New Stationary Sources §40 CFR 60.4211]

Subpart III - Standards of Performance for Stationary Compression Ignition Internal Combustion Engines

What are my compliance requirements if I am an owner or operator of a stationary CI internal combustion engine?

Pursuant to 40 CFR § 60.4211(b), the permittee shall demonstrate compliance with the requirements of NSPS Subpart III for Source ID P302 according to one of the following methods:

- (1) Purchasing an engine certified according to 40 CFR part 89 or 40 CFR part 94, as applicable, for the same model year and maximum engine power. The engine must be installed and configured according to the manufacturer's specifications.
- (2) Keeping records of performance test results for each pollutant for a test conducted on a similar engine. The test must have been conducted using the same methods specified in this subpart and these methods must have been followed correctly.
- (3) Keeping records of engine manufacturer data indicating compliance with the standards.
- (4) Keeping records of control device vendor data indicating compliance with the standards.
- (5) Conducting an initial performance test to demonstrate compliance with the emission standards according to the requirements specified in §60.4212, as applicable.

VII. ADDITIONAL REQUIREMENTS.

009 [25 Pa. Code §127.441]

Operating permit terms and conditions.

The reciprocating internal combustion engine included in Source ID P302 is subject to 40 CFR Part 60 Subpart III - Standards of Performance for Stationary Compression Ignition Internal Combustion Engines. The permittee shall comply with all applicable requirements of 40 CFR §§ 60.4200 - 60.4219 for Source ID P302.

010 [25 Pa. Code §127.441]

Operating permit terms and conditions.

Source ID P302 consists of one (1) emergency water pump powered by a 525 bhp diesel-fired engine.

011 [25 Pa. Code §127.441]

Operating permit terms and conditions.

The reciprocating internal combustion engine included in Source ID P302 is subject to 40 CFR Part 63 Subpart ZZZZ - National Emissions Standards for Hazardous Air Pollutants for Stationary Reciprocating Internal Combustion Engines.

Pursuant to 40 CFR §63.6590(b)(1)(i), the permittee shall comply with the initial notification requirement specified in 40 CFR §63.6645(f) for Source ID P302. No further requirements apply for Source ID P302 under Subpart ZZZZ.

***** Permit Shield in Effect. *****

**SECTION E. Source Group Restrictions.**

Group Name: ACID RAIN

Group Description: Acid Rain Conditions

Sources included in this group

ID	Name
031	CE BOILER - UNIT 1
032	CE BOILER - UNIT 2

I. RESTRICTIONS.**Emission Restriction(s).****# 001 [25 Pa. Code §127.531]****Special conditions related to acid rain.**

[Additional authority for this permit condition is derived from 40 CFR Part 72.5]

- (a) The permittee shall not emit into the outdoor atmosphere, annual emissions of sulfur dioxide in excess of the number of allowances to emit sulfur dioxide that the permittee or designated representative holds for each affected source.
- (b) The permittee shall not emit sulfur dioxide in a manner that would exceed applicable emission rates or standards, including ambient air quality standards.
- (c) The permittee shall not use any sulfur dioxide allowance prior to the year for which the allowance is allocated.
- (d) A limit will not be placed on the number of sulfur dioxide allowances held for a source. The permittee shall not, however, use allowances as a defense to noncompliance with other applicable requirements.
- (e) The permittee shall account for all allowances in accordance with the procedures established in regulations promulgated under Title IV of the Clean Air Act and the Title IV Phase II Acid Rain Permit issued to this facility.

II. TESTING REQUIREMENTS.

No additional testing requirements exist except as provided in other sections of this permit including Section B (Title V General Requirements).

III. MONITORING REQUIREMENTS.

No additional monitoring requirements exist except as provided in other sections of this permit including Section B (Title V General Requirements).

IV. RECORDKEEPING REQUIREMENTS.**# 002 [25 Pa. Code §127.531]****Special conditions related to acid rain.**

The permittee shall comply with all applicable record keeping requirements and procedures established in regulations promulgated under Title IV of the Clean Air Act and the Title IV Phase II Acid Rain Permit (TIVOP 47-00001) renewed on January 23, 2019.

V. REPORTING REQUIREMENTS.**# 003 [25 Pa. Code §127.531]****Special conditions related to acid rain.**

The permittee shall comply with all applicable reporting requirements and procedures established in regulations promulgated under Title IV of the Clean Air Act and the Title IV Phase II Acid Rain Permit (TIVOP 47-00001) renewed on January 23, 2019.

VI. WORK PRACTICE REQUIREMENTS.

No additional work practice requirements exist except as provided in other sections of this permit including Section B (Title V General Requirements).

**SECTION E. Source Group Restrictions.****VII. ADDITIONAL REQUIREMENTS.****# 004 [25 Pa. Code §127.531]****Special conditions related to acid rain.**

The permittee shall comply with all applicable requirements and procedures established in regulations promulgated under Title IV of the Clean Air Act and the Title IV Phase II Acid Rain permit (TIVOP 47-00001) renewed on January 23, 2019, including all applicable provisions from the following:

40 CFR Part 72	Permit Regulation
40 CFR Part 73	Sulfur Dioxide Allowance System
40 CFR Part 75	Continuous Emission Monitoring
40 CFR Part 76	Nitrogen Oxides Emission Reduction Program
40 CFR Part 77	Excess Emissions

Attached to this permit (TVOP 47-00001) is the Phase II Title IV (Acid Rain) permit (TIVOP 47-00001) in its entirety, renewed on January 23, 2019. Certain requirements from the Acid Rain permit have been reiterated in the body of the Title V permit for emphasis. The entire Title IV permit is incorporated into this Title V permit by inclusion.

***** Permit Shield in Effect. *****

**SECTION E. Source Group Restrictions.**

Group Name: CAM

Group Description: Compliance Assurance Monitoring

Sources included in this group

ID	Name
031	CE BOILER - UNIT 1
032	CE BOILER - UNIT 2

I. RESTRICTIONS.

No additional requirements exist except as provided in other sections of this permit including Section B (Title V General Requirements).

II. TESTING REQUIREMENTS.

No additional testing requirements exist except as provided in other sections of this permit including Section B (Title V General Requirements).

III. MONITORING REQUIREMENTS.**# 001 [25 Pa. Code §127.441]****Operating permit terms and conditions.**

[Additional authority for this permit condition is also derived from 40 CFR §§ 64.6(c)(1)-(4)]

The permittee shall comply with the following Compliance Assurance Monitoring Plan for Source IDs 031 and 032, which contains the following elements:

- (1) The permittee shall monitor emissions of Sulfur Dioxide as an indicator of compliance with the applicable Sulfuric Acid Mist emission limitations for Source IDs 031 and 032;
- (2) Emissions of Sulfur Dioxide from Source IDs 031 and 032 shall be monitored by SO₂ Continuous Emission Monitoring Systems (CEMS).
- (3) An excursion from the indicator range will be deemed to occur if the CEMS SO₂ monitoring system detects SO₂ emissions of 0.80 lb/MMBtu or greater (3 hour block average). During annual H₂SO₄ stack testing for Source IDs 031 and 032, the permittee shall collect SO₂/H₂SO₄ correlation data for purposes of re-evaluating and verifying the validity of the indicator range every five years. Department approval shall be obtained prior to making any changes to DRY1, DRY2, FGD01, and/or FGD02, including changes in the method of operation, that may impact the correlation between SO₂ and H₂SO₄ emissions.
- (4) The permittee shall conduct the monitoring and fulfill the other obligations specified in 40 CFR §§ 64.7 through 64.9.

IV. RECORDKEEPING REQUIREMENTS.**# 002 [25 Pa. Code §127.441]****Operating permit terms and conditions.**

Pursuant to the compliance assurance monitoring requirements of 40 CFR Section 64.9(b), the permittee shall maintain records of monitoring data, monitor performance data, corrective actions taken, any written quality improvement plan required pursuant to 40 CFR §64.8 and any activities undertaken to implement a quality improvement plan, and other supporting information required to be maintained under 40 CFR Part 64 (such as data used to document the adequacy of monitoring, or records of monitoring maintenance or corrective actions).

V. REPORTING REQUIREMENTS.**# 003 [25 Pa. Code §127.441]****Operating permit terms and conditions.**

Pursuant to the compliance assurance monitoring requirements of 40 CFR § 64.9(a), the permittee shall submit the following reports on a semi-annual basis;

- (1) summary information on the duration and cause (including unknown cause, if applicable) of excursions of the CAM indicators and corrective actions taken; and

**SECTION E. Source Group Restrictions.**

(2) summary information on the duration and cause (including unknown cause, if applicable) for monitor downtime incidents (other than downtime associated with calibration checks), as provided to the Department in the permittee's quarterly SO₂ CEMS reports.

(3) A description of the actions taken to implement a QIP during the reporting period as specified in 40 CFR §64.8. Upon completion of a QIP, the owner or operator shall include in the next summary report documentation that the implementation of the plan has been completed and reduced the likelihood of similar levels of excursions or exceedances occurring.

The semi-annual reports shall be submitted to the Department no later than March 1 (July 1 through December 30 of the previous year) and September 1 (January 1 through June 30 of the concurrent year).

VI. WORK PRACTICE REQUIREMENTS.**# 004 [25 Pa. Code §127.441]****Operating permit terms and conditions.**

[Additional authority for this permit condition is derived from 40 CFR Section 64.8]

(a) The permittee shall develop and implement a Quality Improvement Plan (QIP) as expeditiously as practicable if any of the following occur:

- (1) Six (6) excursions occur in a six (6) month reporting period.
- (2) The Department determines after review of all reported information that the permittee has not responded acceptably to an excursion.

(b) The QIP should be developed within 60 days and the permittee shall provide a copy of the QIP to the Department. Furthermore, the permittee shall notify the Department if the period for completing the improvements contained in the QIP exceeds 180 days from the date on which the need to implement the QIP was determined.

(c) The permittee shall record actions taken to implement a QIP during a reporting period and all related actions including, but not limited to, inspections, repairs, and maintenance performed on DRY1, DRY2, FGD01 and/or FGD02 associated with Source IDs 031 and 032.

(d) In accordance with 40 CFR Section 64.8, the QIP shall include procedures for evaluating the control performance problems. Based on the results of the evaluation procedures, the permittee shall modify the QIP and provide the Department with a copy, to include procedures for conducting more frequent, or improved, monitoring in conjunction with one or more of the following:

- (1) Improved preventive maintenance practices,
- (2) Process operation changes,
- (3) Appropriate improvements to the control methods,
- (4) Other steps appropriate to correct performance.

(e) Following implementation of a QIP, the Department will require reasonable revisions to the QIP if the plan has failed to either:

- (1) Address the cause of the performance problems of DRY1, DRY2, FGD01 and/or FGD02 associated with Source IDs 031 and 032.
- (2) Provide adequate procedures for correcting the performance problems of DRY1, DRY2, FGD01 and/or FGD02 associated with Source IDs 031 and 032 as expeditiously as practicable in accordance with good air pollution control practices for minimizing emissions.

(f) Implementation of a QIP shall not excuse the permittee from compliance with any existing emission limitation or standard or any existing monitoring, testing, reporting or recordkeeping requirements that may apply under any federal, state, or local laws or any other applicable requirements under the Clean Air Act.

005 [25 Pa. Code §127.441]**Operating permit terms and conditions.**

Upon detecting an excursion, as defined in 40 CFR Section 64.1, of the SO₂ CAM trigger point, the permittee shall restore operation of Source IDs 031 and 032 (including IDs DRY1, DRY2, FGD01, and FGD02) to its normal or usual manner of operation as expeditiously as practicable in accordance with good air pollution control practices for minimizing emissions.

**SECTION E. Source Group Restrictions.**

The response shall include minimizing the period of any startup, shutdown or malfunction and taking any necessary corrective actions to restore normal operation and prevent the likely recurrence of the cause of the excursion.

VII. ADDITIONAL REQUIREMENTS.

006 [25 Pa. Code §127.441]

Operating permit terms and conditions.

Source IDs 031 and 032 are subject to 40 CFR Part 64 (Compliance Assurance Monitoring) for emissions of Sulfuric Acid Mist. The permittee shall comply with all applicable requirements specified in 40 CFR Sections 64.1 through 64.10.

***** Permit Shield in Effect. *****

**SECTION E. Source Group Restrictions.**

Group Name: CEMS

Group Description: CEMS Testing, Monitoring, Recordkeeping and Reporting Requirements

Sources included in this group

ID	Name
031	CE BOILER - UNIT 1
032	CE BOILER - UNIT 2

I. RESTRICTIONS.

No additional requirements exist except as provided in other sections of this permit including Section B (Title V General Requirements).

II. TESTING REQUIREMENTS.**# 001 [25 Pa. Code §127.441]****Operating permit terms and conditions.**

[Additional authority for this permit condition is derived from 25 Pa. Code Section 127.511]

(a) The permittee shall comply with all applicable testing requirements specified in 25 Pa. Code Chapter 139 and the Departments "Continuous Source Monitoring Manual".

III. MONITORING REQUIREMENTS.**# 002 [25 Pa. Code §127.441]****Operating permit terms and conditions.**

[Additional authority for this permit condition is derived from 25 Pa. Code Section 127.511]

(a) The permittee shall comply with all applicable monitoring requirements specified in 25 Pa. Code Chapter 139 and the Departments "Continuous Source Monitoring Manual".

003 [40 CFR Part 75 Continuous Emission Monitoring §40 CFR 75.10]**Subpart B--Monitoring Provisions****General operating requirements.**

The requirements in 40 CFR § 75.10 apply.

004 [40 CFR Part 75 Continuous Emission Monitoring §40 CFR 75.11]**Subpart B--Monitoring Provisions****Specific provisions for monitoring SO₂ emissions (SO₂ and flow monitors).**

The requirements in 40 CFR § 75.11 apply except for 40 CFR § 75.11(e) and (f).

005 [40 CFR Part 75 Continuous Emission Monitoring §40 CFR 75.12]**Subpart B--Monitoring Provisions****Specific provisions for monitoring NO_x emissions (NO_x and diluent gas monitors).**

The requirements in 40 CFR § 75.12(a), (b) and (c) apply.

006 [40 CFR Part 75 Continuous Emission Monitoring §40 CFR 75.13]**Subpart B--Monitoring Provisions****Specific provisions for monitoring CO₂ emissions.**

The requirements in 40 CFR § 75.13(a) apply.

007 [40 CFR Part 75 Continuous Emission Monitoring §40 CFR 75.14]**Subpart B--Monitoring Provisions****Specific provisions for monitoring opacity.**

The requirements in 40 CFR § 75.14(a) and (b) apply.

008 [40 CFR Part 75 Continuous Emission Monitoring §40 CFR 75.2]**Subpart A--General****Applicability.**

The requirements in 40 CFR § 75.2 apply.

009 [40 CFR Part 75 Continuous Emission Monitoring §40 CFR 75.20]**Subpart C--Operation and Maintenance Requirements**

**SECTION E. Source Group Restrictions.****Certification and recertification procedures.**

The requirements in 40 CFR § 75.20 apply except for 40 CFR § 75.20(e), (f) and (g).

010 [40 CFR Part 75 Continuous Emission Monitoring §40 CFR 75.21]**Subpart C--Operation and Maintenance Requirements****Quality assurance and quality control requirements.**

The requirements in 40 CFR § 75.21(a)(1), (a)(2) and (a)(3) apply.

011 [40 CFR Part 75 Continuous Emission Monitoring §40 CFR 75.22]**Subpart C--Operation and Maintenance Requirements****Reference test methods.**

The requirements in 40 CFR § 75.22 apply.

012 [40 CFR Part 75 Continuous Emission Monitoring §40 CFR 75.24]**Subpart C--Operation and Maintenance Requirements****Out-of-control periods.**

The requirements in 40 CFR § 75.24 apply.

013 [40 CFR Part 75 Continuous Emission Monitoring §40 CFR 75.30]**Subpart D--Missing Data Substitution Procedures****General provisions.**

The requirements in 40 CFR § 75.30 apply.

014 [40 CFR Part 75 Continuous Emission Monitoring §40 CFR 75.4]**Subpart A--General****Compliance dates.**

The requirements in 40 CFR § 75.4(a)(3) apply.

015 [40 CFR Part 75 Continuous Emission Monitoring §40 CFR 75.53]**Subpart F--Recordkeeping Requirements****Monitoring plan.**

The requirements in 40 CFR § 75.53 apply.

016 [40 CFR Part 75 Continuous Emission Monitoring §40 CFR 75.60]**Subpart G--Reporting Requirements****General provisions.**

The requirements in 40 CFR § 75.60 apply.

017 [40 CFR Part 75 Continuous Emission Monitoring §40 CFR 75.62]**Subpart G--Reporting Requirements****Monitoring plan.**

The requirements in 40 CFR § 75.62 apply.

018 [40 CFR Part 75 Continuous Emission Monitoring §40 CFR 75.63]**Subpart G--Reporting Requirements****Initial certification or recertification application.**

The requirements in 40 CFR § 75.63 apply.

019 [40 CFR Part 75 Continuous Emission Monitoring §40 CFR 75.64]**Subpart G--Reporting Requirements****Quarterly reports.**

The requirements in 40 CFR § 75.64 apply.

020 [40 CFR Part 75 Continuous Emission Monitoring §40 CFR 75.65]**Subpart G--Reporting Requirements****Opacity reports.**

The requirements in 40 CFR § 75.65 apply.

**SECTION E. Source Group Restrictions.****IV. RECORDKEEPING REQUIREMENTS.****# 021 [25 Pa. Code §127.441]****Operating permit terms and conditions.**

[Additional authority for this permit condition is derived from 25 Pa. Code Section 127.511]

(a) The permittee shall comply with all applicable recordkeeping requirements specified in 25 Pa. Code Chapter 139 and the Departments "Continuous Source Monitoring Manual".

V. REPORTING REQUIREMENTS.**# 022 [25 Pa. Code §127.441]****Operating permit terms and conditions.**

[Additional authority for this permit condition is derived from 25 Pa. Code Section 127.511]

(a) The permittee shall comply with all applicable reporting requirements specified in 25 Pa. Code Chapter 139 and the Departments "Continuous Source Monitoring Manual".

VI. WORK PRACTICE REQUIREMENTS.

No additional work practice requirements exist except as provided in other sections of this permit including Section B (Title V General Requirements).

VII. ADDITIONAL REQUIREMENTS.**# 023 [25 Pa. Code §127.441]****Operating permit terms and conditions.**

[Additional authority for this permit condition is derived from 25 Pa. Code Sections 123.25, 123.51, 129.95]

(a) The permittee shall install, calibrate, maintain and operate continuous monitoring systems for measuring the sulfur dioxide emissions, nitrogen oxide emissions, either oxygen or carbon dioxide concentration and volumetric flow in accordance with all applicable requirements specified in 25 Pa. Code Chapter 139, the Department's "Continuous Source Monitoring Manual" and 40 CFR Part 75.

***** Permit Shield in Effect. *****

**SECTION E. Source Group Restrictions.**

Group Name: CSAPR

Group Description: Cross State Air Pollution Rule

Sources included in this group

ID	Name
031	CE BOILER - UNIT 1
032	CE BOILER - UNIT 2

I. RESTRICTIONS.

No additional requirements exist except as provided in other sections of this permit including Section B (Title V General Requirements).

II. TESTING REQUIREMENTS.

No additional testing requirements exist except as provided in other sections of this permit including Section B (Title V General Requirements).

III. MONITORING REQUIREMENTS.

No additional monitoring requirements exist except as provided in other sections of this permit including Section B (Title V General Requirements).

IV. RECORDKEEPING REQUIREMENTS.

No additional record keeping requirements exist except as provided in other sections of this permit including Section B (Title V General Requirements).

V. REPORTING REQUIREMENTS.

No additional reporting requirements exist except as provided in other sections of this permit including Section B (Title V General Requirements).

VI. WORK PRACTICE REQUIREMENTS.

No additional work practice requirements exist except as provided in other sections of this permit including Section B (Title V General Requirements).

VII. ADDITIONAL REQUIREMENTS.**# 001 [25 Pa. Code §127.441]****Operating permit terms and conditions.**

[Additional authority for this permit condition is also derived from 40 CFR §§ 97.404, 97.604, and 97.804]

The Cross State Air Pollution Rule (CSAPR) subject unit(s), and the unit-specific monitoring provisions at this source, are identified in the following. These unit(s) are subject to the requirements for the CSAPR NOX Annual Trading Program, CSAPR SO₂ Group 1 Trading Program, and CSAPR NOX Ozone Season Group 2 Trading Program.

(a) 031 C-E Unit 1 – NOX, SO₂, and heat input are monitored per Continuous Emission Monitoring System or Systems (CEMS) requirements pursuant to 40 CFR Part 75, Subpart B (for SO₂ monitoring) and 40 CFR Part 75, Subpart H (for NOX monitoring).

(b) 032 C-E Unit 2 – NOX, SO₂, and heat input are monitored per Continuous Emission Monitoring System or Systems (CEMS) requirements pursuant to 40 CFR Part 75, Subpart B (for SO₂ monitoring) and 40 CFR Part 75, Subpart H (for NOX monitoring).

1. The above description of the monitoring used by a unit does not change, create an exemption from, or otherwise affect the monitoring, recordkeeping, and reporting requirements applicable to the unit under 40 CFR 97.430 through 97.435 (CSAPR NOX Annual Trading Program), 40 CFR 97.630 through 97.635 (CSAPR SO₂ Group 1 Trading Program), and 40 CFR 97.830 through 97.835 (CSAPR NOX Ozone Season Group 2 Trading Program), as applicable. The monitoring, recordkeeping and reporting requirements applicable to each unit are included below in the standard conditions for the

**SECTION E. Source Group Restrictions.**

applicable CSAPR trading programs.

2. Owners and operators must submit to the Administrator a monitoring plan for each unit in accordance with 40 CFR 75.53, 75.62 and 75.73, as applicable. The monitoring plan for each unit is available at the EPA's website at <https://www.epa.gov/airmarkets/monitoring-plans-part-75-sources>.

3. Owners and operators that want to use an alternative monitoring system must submit to the Administrator a petition requesting approval of the alternative monitoring system in accordance with 40 CFR part 75, subpart E and 40 CFR 75.66 and 40 CFR 97.435 (CSAPR NOX Annual Trading Program), 40 CFR 97.635 (CSAPR SO₂ Group 1 Trading Program), and 40 CFR 97.835 (CSAPR NOX Ozone Season Group 2 Trading Program), as applicable. The Administrator's response approving or disapproving any petition for an alternative monitoring system is available on the EPA's website at <https://www.epa.gov/airmarkets/part-75-petition-responses>.

4. Owners and operators that want to use an alternative to any monitoring, recordkeeping, or reporting requirement under 40 CFR 97.430 through 97.434 (CSAPR NOX Annual Trading Program), 40 CFR 97.630 through 97.634 (CSAPR SO₂ Group 1 Trading Program), and 40 CFR 97.830 through 97.834 (CSAPR NOX Ozone Season Group 2 Trading Program), as applicable must submit to the Administrator a petition requesting approval of the alternative in accordance with 40 CFR 75.66 and 40 CFR 97.435 (CSAPR NOX Annual Trading Program), 40 CFR 97.635 (CSAPR SO₂ Group 1 Trading Program), and 40 CFR 97.835 (CSAPR NOX Ozone Season Group 2 Trading Program), as applicable. The Administrator's response approving or disapproving any petition for an alternative to a monitoring, recordkeeping, or reporting requirement is available on EPA's website at <https://www.epa.gov/airmarkets/part-75-petition-responses>.

5. The descriptions of monitoring applicable to the units included above meet the requirements of 40 CFR 40 CFR 97.430 through 97.434 (CSAPR NOX Annual Trading Program), 40 CFR 97.630 through 97.634 (CSAPR SO₂ Group 1 Trading Program), and 40 CFR 97.830 through 97.834 (CSAPR NOX Ozone Season Group 2 Trading Program), as applicable, and therefore minor permit modification procedures, in accordance with 40 CFR 70.7(e)(2)(i)(B) or 71.7(e)(1)(i)(B), may be used to add to or change this unit's monitoring system description.

002 [25 Pa. Code §127.441]**Operating permit terms and conditions.**

The permittee is subject to the requirements of 40 CFR Part 97 Subpart GGGGG - CSAPR NO_x Ozone Season Group 3 Trading Program for C-E Unit 1 (Source ID 031) and C-E Unit 2 (Source ID 032). The permittee shall comply with all applicable requirements of 40 CFR §§ 97.1001 - 97.1035.

003 [40 CFR Part 97 NO_x Budget Trading Program and CAIR NO_x and SO₂ Trading Programs §40 CFR 97.406]**Subpart AAAAA - CSAPR NOX Annual Trading Program****Standard requirements.****(a) DESIGNATED REPRESENTATIVE REQUIREMENTS**

The owners and operators shall comply with the requirement to have a designated representative, and may have an alternate designated representative, in accordance with 40 CFR 97.413 through 97.418.

(b) EMISSIONS MONITORING, REPORTING, AND RECORDKEEPING REQUIREMENTS

(1) The owners and operators, and the designated representative, of each CSAPR NOX Annual source and each CSAPR NOX Annual unit at the source shall comply with the monitoring, reporting, and recordkeeping requirements of 40 CFR 97.430 (general requirements, including installation, certification, and data accounting, compliance deadlines, reporting data, prohibitions, and long-term cold storage), 97.431 (initial monitoring system certification and recertification procedures), 97.432 (monitoring system out-of-control periods), 97.433 (notifications concerning monitoring), 97.434 (recordkeeping and reporting, including monitoring plans, certification applications, quarterly reports, and compliance certification), and 97.435 (petitions for alternatives to monitoring, recordkeeping, or reporting requirements).

(2) The emissions data determined in accordance with 40 CFR 97.430 through 97.435 shall be used to calculate allocations of CSAPR NOX Annual allowances under 40 CFR 97.411(a)(2) and (b) and 97.412 and to determine compliance with the CSAPR NOX Annual emissions limitation and assurance provisions under paragraph (c) below, provided that, for each monitoring location from which mass emissions are reported, the mass emissions amount used in calculating such allocations and determining such compliance shall be the mass emissions amount for the monitoring location determined in accordance with 40 CFR 97.430 through 97.435 and rounded to the nearest ton, with any fraction of a ton less than 0.50 being deemed to be zero.

(c) NO_x EMISSIONS REQUIREMENTS

**SECTION E. Source Group Restrictions.****(1) CSAPR NOX Annual emissions limitation.**

(i) As of the allowance transfer deadline for a control period in a given year, the owners and operators of each CSAPR NOX Annual source and each CSAPR NOX Annual unit at the source shall hold, in the source's compliance account, CSAPR NOX Annual allowances available for deduction for such control period under 40 CFR 97.424(a) in an amount not less than the tons of total NOX emissions for such control period from all CSAPR NOX Annual units at the source.

(ii) If total NOX emissions during a control period in a given year from the CSAPR NOX Annual units at a CSAPR NOX Annual source are in excess of the CSAPR NOX Annual emissions limitation set forth in paragraph (c)(1)(i) above, then:

(A) The owners and operators of the source and each CSAPR NOX Annual unit at the source shall hold the CSAPR NOX Annual allowances required for deduction under 40 CFR 97.424(d); and

(B) The owners and operators of the source and each CSAPR NOX Annual unit at the source shall pay any fine, penalty, or assessment or comply with any other remedy imposed, for the same violations, under the Clean Air Act, and each ton of such excess emissions and each day of such control period shall constitute a separate violation of 40 CFR part 97, subpart AAAAA and the Clean Air Act.

(2) CSAPR NOX Annual assurance provisions.

(i) If total NOX emissions during a control period in a given year from all CSAPR NOX Annual units at CSAPR NOX Annual sources in the state exceed the state assurance level, then the owners and operators of such sources and units in each group of one or more sources and units having a common designated representative for such control period, where the common designated representative's share of such NOX emissions during such control period exceeds the common designated representative's assurance level for the state and such control period, shall hold (in the assurance account established for the owners and operators of such group) CSAPR NOX Annual allowances available for deduction for such control period under 40 CFR 97.425(a) in an amount equal to two times the product (rounded to the nearest whole number), as determined by the Administrator in accordance with 40 CFR 97.425(b), of multiplying—

(A) The quotient of the amount by which the common designated representative's share of such NOX emissions exceeds the common designated representative's assurance level divided by the sum of the amounts, determined for all common designated representatives for such sources and units in the state for such control period, by which each common designated representative's share of such NOX emissions exceeds the respective common designated representative's assurance level; and

(B) The amount by which total NOX emissions from all CSAPR NOX Annual units at CSAPR NOX Annual sources in the state for such control period exceed the state assurance level.

(ii) The owners and operators shall hold the CSAPR NOX Annual allowances required under paragraph (c)(2)(i) above, as of midnight of November 1 (if it is a business day), or midnight of the first business day thereafter (if November 1 is not a business day), immediately after such control period.

(iii) Total NOX emissions from all CSAPR NOX Annual units at CSAPR NOX Annual sources in the State during a control period in a given year exceed the state assurance level if such total NOX emissions exceed the sum, for such control period, of the state NOX Annual trading budget under 40 CFR 97.410(a) and the state's variability limit under 40 CFR 97.410(b).

(iv) It shall not be a violation of 40 CFR part 97, subpart AAAAA or of the Clean Air Act if total NOX emissions from all CSAPR NOX Annual units at CSAPR NOX Annual sources in the State during a control period exceed the state assurance level or if a common designated representative's share of total NOX emissions from the CSAPR NOX Annual units at CSAPR NOX Annual sources in the state during a control period exceeds the common designated representative's assurance level.

(v) To the extent the owners and operators fail to hold CSAPR NOX Annual allowances for a control period in a given year in accordance with paragraphs (c)(2)(i) through (iii) above,

(A) The owners and operators shall pay any fine, penalty, or assessment or comply with any other remedy imposed under the Clean Air Act; and

(B) Each CSAPR NOX Annual allowance that the owners and operators fail to hold for such control period in accordance with paragraphs (c)(2)(i) through (iii) above and each day of such control period shall constitute a separate violation of 40 CFR part 97, subpart AAAAA and the Clean Air Act.

(3) Compliance periods.

(i) A CSAPR NOX Annual unit shall be subject to the requirements under paragraph (c)(1) above for the control period starting on the later of January 1, 2015, or the deadline for meeting the unit's monitor certification requirements under 40 CFR 97.430(b) and for each control period thereafter.

(ii) A CSAPR NOX Annual unit shall be subject to the requirements under paragraph (c)(2) above for the control period starting on the later of January 1, 2017 or the deadline for meeting the unit's monitor certification requirements under 40 CFR 97.430(b) and for each control period thereafter.

(4) Vintage of allowances held for compliance.

(i) A CSAPR NOX Annual allowance held for compliance with the requirements under paragraph (c)(1)(i) above for a

**SECTION E. Source Group Restrictions.**

control period in a given year must be a CSAPR NOX Annual allowance that was allocated for such control period or a control period in a prior year.

(ii) A CSAPR NOX Annual allowance held for compliance with the requirements under paragraphs (c)(1)(ii)(A) and (2)(i) through (iii) above for a control period in a given year must be a CSAPR NOX Annual allowance that was allocated for a control period in a prior year or the control period in the given year or in the immediately following year.

(5) Allowance Management System requirements. Each CSAPR NOX Annual allowance shall be held in, deducted from, or transferred into, out of, or between Allowance Management System accounts in accordance with 40 CFR part 97, subpart AAAAA.

(6) Limited authorization. A CSAPR NOX Annual allowance is a limited authorization to emit one ton of NOX during the control period in one year. Such authorization is limited in its use and duration as follows:

(i) Such authorization shall only be used in accordance with the CSAPR NOX Annual Trading Program; and

(ii) Notwithstanding any other provision of 40 CFR part 97, the Administrator has the authority to terminate or limit the use and duration of such authorization to the extent the Administrator determines is necessary or appropriate to implement any provision of the Clean Air Act.

(7) Property right. A CSAPR NOX Annual allowance does not constitute a property right.

(d) TITLE V PERMIT REVISION REQUIREMENTS

(1) No title V permit revision shall be required for any allocation, holding, deduction, or transfer of CSAPR NOX Annual allowances in accordance with 40 CFR part 97, subpart AAAAA.

(2) This permit incorporates the CSAPR emissions monitoring, recordkeeping and reporting requirements pursuant to 40 CFR 97.430 through 97.435, and the requirements for a continuous emission monitoring system (pursuant to 40 CFR part 75, subparts B and H), an excepted monitoring system (pursuant to 40 CFR part 75, appendices D and E), a low mass emissions excepted monitoring methodology (pursuant to 40 CFR 75.19), and an alternative monitoring system (pursuant to 40 CFR part 75, subpart E). Therefore, the Description of CSAPR Monitoring Provisions table for units identified in this permit may be added to, or changed, in this title V permit using minor permit modification procedures in accordance with 40 CFR 97.406(d)(2) and 70.7(e)(2)(i)(B) or 71.7(e)(1)(i)(B).

(e) ADDITIONAL RECORDKEEPING AND REPORTING REQUIREMENTS

(1) Unless otherwise provided, the owners and operators of each CSAPR NOX Annual source and each CSAPR NOX Annual unit at the source shall keep on site at the source each of the following documents (in hardcopy or electronic format) for a period of 5 years from the date the document is created. This period may be extended for cause, at any time before the end of 5 years, in writing by the Administrator.

(i) The certificate of representation under 40 CFR 97.416 for the designated representative for the source and each CSAPR NOX Annual unit at the source and all documents that demonstrate the truth of the statements in the certificate of representation; provided that the certificate and documents shall be retained on site at the source beyond such 5-year period until such certificate of representation and documents are superseded because of the submission of a new certificate of representation under 40 CFR 97.416 changing the designated representative.

(ii) All emissions monitoring information, in accordance with 40 CFR part 97, subpart AAAAA.

(iii) Copies of all reports, compliance certifications, and other submissions and all records made or required under, or to demonstrate compliance with the requirements of, the CSAPR NOX Annual Trading Program.

(2) The designated representative of a CSAPR NOX Annual source and each CSAPR NOX Annual unit at the source shall make all submissions required under the CSAPR NOX Annual Trading Program, except as provided in 40 CFR 97.418. This requirement does not change, create an exemption from, or otherwise affect the responsible official submission requirements under a title V operating permit program in 40 CFR parts 70 and 71.

(f) LIABILITY

(1) Any provision of the CSAPR NOX Annual Trading Program that applies to a CSAPR NOX Annual source or the designated representative of a CSAPR NOX Annual source shall also apply to the owners and operators of such source and of the CSAPR NOX Annual units at the source.

(2) Any provision of the CSAPR NOX Annual Trading Program that applies to a CSAPR NOX Annual unit or the designated representative of a CSAPR NOX Annual unit shall also apply to the owners and operators of such unit.

(g) EFFECT ON OTHER AUTHORITIES

No provision of the CSAPR NOX Annual Trading Program or exemption under 40 CFR 97.405 shall be construed as exempting or excluding the owners and operators, and the designated representative, of a CSAPR NOX Annual source or CSAPR NOX Annual unit from compliance with any other provision of the applicable, approved state implementation plan, a federally enforceable permit, or the Clean Air Act.

**SECTION E. Source Group Restrictions.****# 004 [40 CFR Part 97 NOx Budget Trading Program and CAIR NOx and SO2 Trading Programs §40 CFR 97.606]
Subpart CCCCC - CSAPR SO2 Group 1 Trading Program
Standard requirements.****(a) DESIGNATED REPRESENTATIVE REQUIREMENTS**

The owners and operators shall comply with the requirement to have a designated representative, and may have an alternate designated representative, in accordance with 40 CFR 97.613 through 97.618.

(b) EMISSIONS MONITORING, REPORTING, AND RECORDKEEPING REQUIREMENTS

(1) The owners and operators, and the designated representative, of each CSAPR SO2 Group 1 source and each CSAPR SO2 Group 1 unit at the source shall comply with the monitoring, reporting, and recordkeeping requirements of 40 CFR 97.630 (general requirements, including installation, certification, and data accounting, compliance deadlines, reporting data, prohibitions, and long-term cold storage), 97.631 (initial monitoring system certification and recertification procedures), 97.632 (monitoring system out-of-control periods), 97.633 (notifications concerning monitoring), 97.634 (recordkeeping and reporting, including monitoring plans, certification applications, quarterly reports, and compliance certification), and 97.635 (petitions for alternatives to monitoring, recordkeeping, or reporting requirements).

(2) The emissions data determined in accordance with 40 CFR 97.630 through 97.635 shall be used to calculate allocations of CSAPR SO2 Group 1 allowances under 40 CFR 97.611(a)(2) and (b) and 97.612 and to determine compliance with the CSAPR SO2 Group 1 emissions limitation and assurance provisions under paragraph (c) below, provided that, for each monitoring location from which mass emissions are reported, the mass emissions amount used in calculating such allocations and determining such compliance shall be the mass emissions amount for the monitoring location determined in accordance with 40 CFR 97.630 through 97.635 and rounded to the nearest ton, with any fraction of a ton less than 0.50 being deemed to be zero.

(c) SO2 EMISSIONS REQUIREMENTS**(1) CSAPR SO2 Group 1 emissions limitation.**

(i) As of the allowance transfer deadline for a control period in a given year, the owners and operators of each CSAPR SO2 Group 1 source and each CSAPR SO2 Group 1 unit at the source shall hold, in the source's compliance account, CSAPR SO2 Group 1 allowances available for deduction for such control period under 40 CFR 97.624(a) in an amount not less than the tons of total SO2 emissions for such control period from all CSAPR SO2 Group 1 units at the source.

(ii) If total SO2 emissions during a control period in a given year from the CSAPR SO2 Group 1 units at a CSAPR SO2 Group 1 source are in excess of the CSAPR SO2 Group 1 emissions limitation set forth in paragraph (c)(1)(i) above, then:

(A) The owners and operators of the source and each CSAPR SO2 Group 1 unit at the source shall hold the CSAPR SO2 Group 1 allowances required for deduction under 40 CFR 97.624(d); and

(B) The owners and operators of the source and each CSAPR SO2 Group 1 unit at the source shall pay any fine, penalty, or assessment or comply with any other remedy imposed, for the same violations, under the Clean Air Act, and each ton of such excess emissions and each day of such control period shall constitute a separate violation 40 CFR part 97, subpart CCCCC and the Clean Air Act.

(2) CSAPR SO2 Group 1 assurance provisions.

(i) If total SO2 emissions during a control period in a given year from all CSAPR SO2 Group 1 units at CSAPR SO2 Group 1 sources in the state exceed the state assurance level, then the owners and operators of such sources and units in each group of one or more sources and units having a common designated representative for such control period, where the common designated representative's share of such SO2 emissions during such control period exceeds the common designated representative's assurance level for the state and such control period, shall hold (in the assurance account established for the owners and operators of such group) CSAPR SO2 Group 1 allowances available for deduction for such control period under 40 CFR 97.625(a) in an amount equal to two times the product (rounded to the nearest whole number), as determined by the Administrator in accordance with 40 CFR 97.625(b), of multiplying—

(A) The quotient of the amount by which the common designated representative's share of such SO2 emissions exceeds the common designated representative's assurance level divided by the sum of the amounts, determined for all common designated representatives for such sources and units in the state or such control period, by which each common designated representative's share of such SO2 emissions exceeds the respective common designated representative's assurance level; and

(B) The amount by which total SO2 emissions from all CSAPR SO2 Group 1 units at CSAPR SO2 Group 1 sources in the state for such control period exceed the state assurance level.

(ii) The owners and operators shall hold the CSAPR SO2 Group 1 allowances required under paragraph (c)(2)(i) above, as of midnight of November 1 (if it is a business day), or midnight of the first business day thereafter (if November 1 is not a business day), immediately after such control period.

(iii) Total SO2 emissions from all CSAPR SO2 Group 1 units at CSAPR SO2 Group 1 sources in the state during a

**SECTION E. Source Group Restrictions.**

control period in a given year exceed the state assurance level if such total SO₂ emissions exceed the sum, for such control period, of the state SO₂ Group 1 trading budget under 40 CFR 97.610(a) and the state's variability limit under 40 CFR 97.610(b).

(iv) It shall not be a violation of 40 CFR part 97, subpart CCCCC or of the Clean Air Act if total SO₂ emissions from all CSAPR SO₂ Group 1 units at CSAPR SO₂ Group 1 sources in the state during a control period exceed the state assurance level or if a common designated representative's share of total SO₂ emissions from the CSAPR SO₂ Group 1 units at CSAPR SO₂ Group 1 sources in the state during a control period exceeds the common designated representative's assurance level.

(v) To the extent the owners and operators fail to hold CSAPR SO₂ Group 1 allowances for a control period in a given year in accordance with paragraphs (c)(2)(i) through (iii) above,

(A) The owners and operators shall pay any fine, penalty, or assessment or comply with any other remedy imposed under the Clean Air Act; and

(B) Each CSAPR SO₂ Group 1 allowance that the owners and operators fail to hold for such control period in accordance with paragraphs (c)(2)(i) through (iii) above and each day of such control period shall constitute a separate violation of 40 CFR part 97, subpart CCCCC and the Clean Air Act.

(3) Compliance periods.

(i) A CSAPR SO₂ Group 1 unit shall be subject to the requirements under paragraph (c)(1) above for the control period starting on the later of January 1, 2015 or the deadline for meeting the unit's monitor certification requirements under 40 CFR 97.630(b) and for each control period thereafter.

(ii) A CSAPR SO₂ Group 1 unit shall be subject to the requirements under paragraph (c)(2) above for the control period starting on the later of January 1, 2017 or the deadline for meeting the unit's monitor certification requirements under 40 CFR 97.630(b) and for each control period thereafter.

(4) Vintage of allowances held for compliance.

(i) A CSAPR SO₂ Group 1 allowance held for compliance with the requirements under paragraph (c)(1)(i) above for a control period in a given year must be a CSAPR SO₂ Group 1 allowance that was allocated for such control period or a control period in a prior year.

(ii) A CSAPR SO₂ Group 1 allowance held for compliance with the requirements under paragraphs (c)(1)(ii)(A) and (2)(i) through (iii) above for a control period in a given year must be a CSAPR SO₂ Group 1 allowance that was allocated for a control period in a prior year or the control period in the given year or in the immediately following year.

(5) Allowance Management System requirements. Each CSAPR SO₂ Group 1 allowance shall be held in, deducted from, or transferred into, out of, or between Allowance Management System accounts in accordance with 40 CFR part 97, subpart CCCCC.

(6) Limited authorization. A CSAPR SO₂ Group 1 allowance is a limited authorization to emit one ton of SO₂ during the control period in one year. Such authorization is limited in its use and duration as follows:

(i) Such authorization shall only be used in accordance with the CSAPR SO₂ Group 1 Trading Program; and

(ii) Notwithstanding any other provision of 40 CFR part 97, subpart CCCCC, the Administrator has the authority to terminate or limit the use and duration of such authorization to the extent the Administrator determines is necessary or appropriate to implement any provision of the Clean Air Act.

(7) Property right. A CSAPR SO₂ Group 1 allowance does not constitute a property right.

(d) TITLE V PERMIT REVISION REQUIREMENTS

(1) No title V permit revision shall be required for any allocation, holding, deduction, or transfer of CSAPR SO₂ Group 1 allowances in accordance with 40 CFR part 97, subpart CCCCC.

(2) This permit incorporates the CSAPR emissions monitoring, recordkeeping and reporting requirements pursuant to 40 CFR 97.630 through 97.635, and the requirements for a continuous emission monitoring system (pursuant to 40 CFR part 75, subparts B and H), an exempted monitoring system (pursuant to 40 CFR part 75, appendices D and E), a low mass emissions exempted monitoring methodology (pursuant to 40 CFR part 75.19), and an alternative monitoring system (pursuant to 40 CFR part 75, subpart E). Therefore, the Description of CSAPR Monitoring Provisions for units identified in this permit may be added to, or changed, in this title V permit using minor permit modification procedures in accordance with 40 CFR 97.606(d)(2) and 70.7(e)(2)(i)(B) or 71.7(e)(1)(i)(B).

(e) ADDITIONAL RECORDKEEPING AND REPORTING REQUIREMENTS

(1) Unless otherwise provided, the owners and operators of each CSAPR SO₂ Group 1 source and each CSAPR SO₂ Group 1 unit at the source shall keep on site at the source each of the following documents (in hardcopy or electronic format) for a period of 5 years from the date the document is created. This period may be extended for cause, at any time before the end of 5 years, in writing by the Administrator.

(i) The certificate of representation under 40 CFR 97.616 for the designated representative for the source and each

**SECTION E. Source Group Restrictions.**

CSAPR SO2 Group 1 unit at the source and all documents that demonstrate the truth of the statements in the certificate of representation; provided that the certificate and documents shall be retained on site at the source beyond such 5-year period until such certificate of representation and documents are superseded because of the submission of a new certificate of representation under 40 CFR 97.616 changing the designated representative.

(ii) All emissions monitoring information, in accordance with 40 CFR part 97, subpart CCCCC.

(iii) Copies of all reports, compliance certifications, and other submissions and all records made or required under, or to demonstrate compliance with the requirements of, the CSAPR SO2 Group 1 Trading Program.

(2) The designated representative of a CSAPR SO2 Group 1 source and each CSAPR SO2 Group 1 unit at the source shall make all submissions required under the CSAPR SO2 Group 1 Trading Program, except as provided in 40 CFR 97.618. This requirement does not change, create an exemption from, or otherwise affect the responsible official submission requirements under a title V operating permit program in 40 CFR parts 70 and 71.

(f) LIABILITY

(1) Any provision of the CSAPR SO2 Group 1 Trading Program that applies to a CSAPR SO2 Group 1 source or the designated representative of a CSAPR SO2 Group 1 source shall also apply to the owners and operators of such source and of the CSAPR SO2 Group 1 units at the source.

(2) Any provision of the CSAPR SO2 Group 1 Trading Program that applies to a CSAPR SO2 Group 1 unit or the designated representative of a CSAPR SO2 Group 1 unit shall also apply to the owners and operators of such unit.

(g) EFFECT ON OTHER AUTHORITIES

No provision of the CSAPR SO2 Group 1 Trading Program or exemption under 40 CFR 97.605 shall be construed as exempting or excluding the owners and operators, and the designated representative, of a CSAPR SO2 Group 1 source or CSAPR SO2 Group 1 unit from compliance with any other provision of the applicable, approved state implementation plan, a federally enforceable permit, or the Clean Air Act.

***** Permit Shield in Effect. *****

**SECTION E. Source Group Restrictions.**

Group Name: MATS RULE

Group Description: 40 CFR Part 63 Subpart UUUUU Conditions

Sources included in this group

ID	Name
031	CE BOILER - UNIT 1
032	CE BOILER - UNIT 2

I. RESTRICTIONS.**Emission Restriction(s).****# 001 [25 Pa. Code §127.441]****Operating permit terms and conditions.**

[Additional authority for this permit condition is also derived from 40 CFR §§ 63.9991(a)(1), 63.10000(a), 63.10005(h), and 63.10042]

(a) The emissions of Hydrogen Chloride from Source IDs 031 and 032 shall not exceed 2.0E-2 lb per MWh of gross output.

(b) This numerical emission limit applies at all times except during periods of startup and shutdown, during which times the permittee shall instead comply with the work practice requirements listed in items 3 and 4 of Table 3 to 40 CFR Part 63 Subpart UUUUU.

(c) The permittee may change the compliance demonstration method for Acid Gases under 40 CFR Part 63 Subpart UUUUU with the Department's written approval.

(d) For the purpose of this condition "gross output" and "shutdown" have the meanings specified in 40 CFR §63.10042. The term "startup" has the meaning specified in definition (1) of §63.10042.

(e) In order to qualify as a "Low emitting EGU" (LEE) for non-mercury emission limits, the permittee shall demonstrate by testing that emissions are no greater than 50 percent of the emission limit for all required testing conducted over the previous 3-year period. Source IDs 031 and 032 currently qualify for LEE status for Acid Gases.

(f) For a qualifying LEE of any non-mercury applicable emission limits, unless the source does not operate within the allowable test window, the permittee shall conduct a performance test at least once every 36 calendar months to demonstrate continued LEE status, but can be no earlier than 1,050 calendar days since the completion date of the last test. If the source misses the performance test deadline due to being inoperative and if 168 or more boiler operating hours occur in the next test period the source must complete an additional performance test in that period and at least 350 calendar days must separate the two performance tests conducted in the same 3 year period.

002 [25 Pa. Code §127.441]**Operating permit terms and conditions.**

[Additional authority for this permit condition is also derived from 40 CFR §§ 63.9991(a)(1), 63.10000(a), 63.10005(h), and 63.10042]

(a) Emissions of Mercury (Hg) from Source IDs 031 and 032 shall not exceed 1.3E-2 lb per GWh of gross output. [Hg CEMS]

(b) This numerical emission limit applies at all times except during periods of startup and shutdown, during which times the permittee shall instead comply with the work practice requirements listed in items 3 and 4 of Table 3 to 40 CFR Part 63 Subpart UUUUU.

(c) The permittee may change the compliance demonstration method for mercury under 40 CFR Part 63 Subpart UUUUU with the Department's written approval.

(d) For the purpose of this condition "gross output" and "shutdown" have the meanings specified in 40 CFR §63.10042. The term "startup" has the meaning specified in definition (1) of §63.10042.

(e) In order to qualify as a "Low emitting EGU" (LEE) for mercury emission limits, the permittee shall demonstrate by testing, using either Method 30B or sorbent trap monitoring system or certified Hg CEMS, that emissions are no greater than 10

**SECTION E. Source Group Restrictions.**

percent of the emission limit or that potential Hg mass emissions are 29.0 or fewer pounds per year. Source IDs 031 and 032 currently qualify for LEE status for mercury.

(f) For a qualifying LEE for mercury, unless the source does not operate within the allowable test window, the permittee shall conduct a 30-day performance test using Method 30B or sorbent trap monitoring system or certified Hg CEMS at least once every 12 calendar months to demonstrate continued LEE status, but can be no earlier than 320 calendar days since the completion date of the last test. If the source misses the performance test deadline due to being inoperative and if 168 or more boiler operating hours occur in the next test period the source must complete an additional performance test in that period and at least 107 calendar days must separate the two performance tests conducted in the same calendar year.

003 [25 Pa. Code §127.441]**Operating permit terms and conditions.**

[Additional authority for this permit condition is also derived from 40 CFR §§ 63.9991(a)(1), 63.10000(a), 63.10005(h), and 63.10042]

(a) The emissions of Filterable Particulate Matter from Source IDs 031 and 032 shall not exceed 3.0E-1 lb per MWh of gross output.

(b) This numerical emission limit applies at all times except during periods of startup and shutdown, during which times the permittee shall instead comply with the work practice requirements listed in items 3 and 4 of Table 3 to 40 CFR Part 63 Subpart UUUUU.

(c) The permittee may change the compliance demonstration method for non-Hg HAP metals under 40 CFR Part 63 Subpart UUUUU with the Department's written approval.

(d) For the purpose of this condition "gross output" and "shutdown" have the meanings specified in 40 CFR §63.10042. The term "startup" has the meaning specified in definition (1) of §63.10042.

(e) In order to qualify as a "Low emitting EGU" (LEE) for non-mercury emission limits, the permittee shall demonstrate by testing that emissions are no greater than 50 percent of the emission limit for all required testing conducted over the previous 3-year period. Source IDs 031 and 032 currently qualify for LEE status for non-Hg HAP metals.

(f) For a qualifying LEE of any non-mercury applicable emission limits, unless the source does not operate within the allowable test window, the permittee shall conduct a performance test at least once every 36 calendar months to demonstrate continued LEE status, but can be no earlier than 1,050 calendar days since the completion date of the last test. If the source misses the performance test deadline due to being inoperative and if 168 or more boiler operating hours occur in the next test period the source must complete an additional performance test in that period and at least 350 calendar days must separate the two performance tests conducted in the same 3 year period.

II. TESTING REQUIREMENTS.**# 004 [25 Pa. Code §127.441]****Operating permit terms and conditions.**

Source IDs 031 and 032 shall comply with all applicable testing requirements of 40 CFR Part 63 Subpart UUUUU specified in 40 CFR §§ 63.10005, 63.10006, and 63.10007.

005 [25 Pa. Code §127.441]**Operating permit terms and conditions.**

[Additional authority for this permit condition is also derived from 40 CFR §§ 63.10000(c), 63.10005(h), 63.10006(b), 63.10006(f), and 63.10006(h), 63.10007, 63.10021(d) and Table 5 of 40 CFR Part 63 Subpart UUUUU]

(a) Unless the source does not operate within the allowable test window, the permittee shall conduct EPA reference method stack tests on Source IDs 031 and 032 for filterable particulate matter and hydrogen chloride at least once every 36 calendar months to demonstrate continued LEE status, but can be no earlier than 1,050 calendar days since the completion date of the last test. If the source misses the performance test deadline due to being inoperative and if 168 or more boiler operating hours occur in the next test period the source must complete an additional performance test in that period and at least 350 calendar days must separate the two performance tests conducted in the same 3 year period.

**SECTION E. Source Group Restrictions.**

(b) Should LEE status be lost, the permittee shall conduct EPA reference method stack tests on Source IDs 031 and 032 on a quarterly basis (unless the source has less than 168 operating hours in a quarter in which case testing is not required for the quarter), until LEE status is re-established through 3 consecutive years of test results demonstrating compliance with the LEE criteria.

(c) All testing shall be performed using methods and procedures acceptable to the Department and in accordance with the specifications of 40 CFR Part 63 Subpart UUUUU.

(d) The stack testing shall be performed while the boiler is operating at its maximum normal operating load, generally between 90-110 percent of design capacity, but should be representative of site specific normal operations during each test run, and while burning coal having a sulfur content which is representative of the coal normally burned in the boiler.

III. MONITORING REQUIREMENTS.**# 006 [25 Pa. Code §127.441]****Operating permit terms and conditions.**

Source IDs 031 and 032 shall comply with all applicable monitoring requirements of 40 CFR Part 63 Subpart UUUUU specified in 40 CFR §§ 63.10010, 63.10011, 63.10020, 63.10021, 63.10022 and 63.10023.

IV. RECORDKEEPING REQUIREMENTS.**# 007 [25 Pa. Code §127.441]****Operating permit terms and conditions.**

Source IDs 031 and 032 shall comply with all applicable recordkeeping requirements of 40 CFR Part 63 Subpart UUUUU specified in 40 CFR §§ 63.10032 and 63.10033.

V. REPORTING REQUIREMENTS.**# 008 [25 Pa. Code §127.441]****Operating permit terms and conditions.**

Source IDs 031 and 032 shall comply with all applicable notification and reporting requirements of 40 CFR Part 63 Subpart UUUUU specified in 40 CFR §§ 63.10030 and 63.10031.

VI. WORK PRACTICE REQUIREMENTS.**# 009 [25 Pa. Code §127.441]****Operating permit terms and conditions.**

Source IDs 031 and 032 shall comply with all applicable work practice standards and operational requirements of 40 CFR Part 63 Subpart UUUUU specified in 40 CFR §§ 63.9991, 63.10000, 63.10010, and 63.10021.

VII. ADDITIONAL REQUIREMENTS.**# 010 [25 Pa. Code §127.441]****Operating permit terms and conditions.**

Source IDs 031 and 032 are defined to be affected sources in the National Emission Standards for Hazardous Air Pollutants: Coal- and Oil-Fired Electric Utility Steam Generating Units (77 FR 9304). As the owner and operator of Source IDs 031 and 032, the permittee shall comply with all applicable requirements codified in 40 CFR Part 63 Subpart UUUUU (40 CFR §§ 63.9980 through 63.10042, including Tables and Appendices).

***** Permit Shield in Effect. *****

**SECTION E. Source Group Restrictions.**

Group Name: RACT2

Group Description: RACT2 for Utility Boilers

Sources included in this group

ID	Name
031	CE BOILER - UNIT 1
032	CE BOILER - UNIT 2

I. RESTRICTIONS.**Emission Restriction(s).****# 001 [25 Pa. Code §129.97]****Presumptive RACT requirements, RACT emission limitations and petition for alternative compliance schedule.**

Pursuant to 25 Pa. Code § 129.97(g)(1)(i), when being fired solely on natural gas, emissions of NO_x expressed as NO₂ for Units 1 and 2 are individually limited to a maximum of 0.10 lb NO_x/MMBtu on a 30-day rolling average basis.

002 [25 Pa. Code §129.99]**Alternative RACT proposal and petition for alternative compliance schedule.**

Emissions of NO_x expressed as NO₂ for Units 1 and 2 when firing coal are individually limited to a maximum of 0.080 lb NO_x/MMBtu on a daily average basis. This limit excludes, emissions during start-up and shut-down; operation pursuant to emergency generation required by PJM, including any necessary testing for such emergency operations; and during periods in which compliance with this emission limit would require operation of any equipment in a manner inconsistent with technological limitations, good engineering and maintenance practices, and/or good air pollution control practices for minimizing emissions.

[For the 0.080 lb NO_x/MMBtu limit all hours during a calendar day which are subject to this limit shall be included in calculating the daily average, even if only one full operating hour qualifies.]

Startup means: The period in which operation of the EGU is initiated after a shutdown event for any purpose. Startup ends when any of the steam from the boiler is used to generate electricity for sale over the grid or for any other purpose (including on-site use). Any fraction of an hour in which startup occurs constitutes a full hour of startup.

Shutdown means: The period in which cessation of operation of an EGU is initiated for any purpose. Shutdown begins when the EGU no longer generates electricity or when no fuel is being fired in the EGU, whichever is earlier. Any fraction of an hour in which shutdown occurs constitutes a full hour of shutdown.

Daily average means: The total mass for each of the hours during the calendar day divided by the total heat input for each of the hours during the calendar day. This calculation methodology would also apply to the limit contained in Condition #003, below.

The Department has defined emergency generation as follows:

PJM Emergency Authority: Section 10.4, of the PJM Operating Agreement (OA) provides that the PJM Office of the Interconnection has the responsibility to "direct the operations of the Members as necessary to manage, alleviate, or end an Emergency". Likewise, Section 11.3.1 (e), of the (OA) states that PJM members must comply with "all directives of the Office of the Interconnection to take any action for the purpose of managing, alleviating or ending an Emergency" as set forth in the PJM Manual 13: Emergency Operations Revision: 81 Effective Date: November 17, 2021 Prepared by System Operations Division PJM © 2021. To the extent the permittee receives an emergency order from PJM, the emissions limit remains in effect unless the permittee demonstrates that compliance with the 0.080 lb/MMBtu is technically infeasible.

003 [25 Pa. Code §129.99]**Alternative RACT proposal and petition for alternative compliance schedule.**

(a) Emissions of NO_x expressed as NO₂ from Unit 1 and 2 when firing coal are individually limited to a maximum of 0.30 lb NO_x/MMBtu on a daily average basis under all operating conditions. The owner or operator may exclude emissions during the startup not to exceed eight hours from initial firing of the unit. The owner or operator may exclude emissions during the shutdown not to exceed two hours.

(b) Emissions of NO_x expressed as NO₂ from Unit 1 and 2 are individually limited to a maximum of 0.35 lb NO_x/MMBtu on a

**SECTION E. Source Group Restrictions.**

daily average basis under all operating conditions. All hours during any calendar day are subject to this limit, even if only one full operating hour qualifies.

004 [25 Pa. Code §129.99]**Alternative RACT proposal and petition for alternative compliance schedule.**

Emissions of NO_x expressed as NO₂ from Unit 1 and 2 when firing coal are individually limited to a maximum 650 lbs NO_x/hr on a 30-operating day rolling average basis under all operating conditions.

[The 650 lb/hr limit shall be computed by adding up the NO_x emissions and heat input over the last 30 operating days then dividing the NO_x emissions in lb by the number of hours operated. An operating day is defined as a day during which the facility was operated for any hour.]

Fuel Restriction(s).**# 005 [25 Pa. Code §127.441]****Operating permit terms and conditions.**

Units 1 and 2 may not fire coal after December 31, 2025, unless one of the following occur:

- (a) PJM has declared an Emergency Action as defined in PJM Manual 13 (Emergency Operations) or an equivalent standard.
- (b) Natural gas is not available or the supply of natural gas to Montour Plant is interrupted.

II. TESTING REQUIREMENTS.

No additional testing requirements exist except as provided in other sections of this permit including Section B (Title V General Requirements).

III. MONITORING REQUIREMENTS.**# 006 [25 Pa. Code §129.100]****Compliance demonstration and recordkeeping requirements.**

The permittee shall utilize Department certified CEMS to calculate actual emission when determining compliance with the NO_x RACT emission limits. The mass NO_x emissions from each utility boiler shall be calculated for each hour of operation, which will be used in calculations to determine compliance using the applicable averaging period specified in each emission limit.

007 [25 Pa. Code §129.100]**Compliance demonstration and recordkeeping requirements.**

The permittee shall utilize methods specified in 40 CFR 75 Appendix F and 40 CFR 60 Appendix A, Method 19 when determining compliance with the NO_x RACT emission limits. The actual heat input from each source shall be calculated for each hour of operation, which will be used in calculations to determine compliance in terms of the applicable averaging period specified in each emission limit.

008 [25 Pa. Code §129.100]**Compliance demonstration and recordkeeping requirements.**

The permittee shall monitor the following for Boiler 1 and 2 (Source ID 031 and 032):

- (a) The SCR inlet and outlet temperatures, continuously, in order to determine compliance with the O&M Plan.
- (b) The ammonia injection rate to the SCR, continuously, in order to determine compliance with the O&M Plan.

IV. RECORDKEEPING REQUIREMENTS.**# 009 [25 Pa. Code §129.100]****Compliance demonstration and recordkeeping requirements.**

The permittee shall keep records related to Units 1 and 2 to demonstrate compliance with 25 Pa. Code §§ 129.96-129.99 in the following manner:

**SECTION E. Source Group Restrictions.**

- (a) The records must include sufficient data and calculations to demonstrate that the requirements of 25 Pa. Code §§ 129.96-129.99 are met.
- (b) Data or information required to determine compliance shall be recorded and maintained in a time frame consistent with the averaging period of the requirement.
- (c) These records shall be retained by the owner or operator for 5 years and made available to the Department or appropriate approved local air pollution control agency upon receipt of a written request from the Department or appropriate approved local air pollution control agency.

010 [25 Pa. Code §129.100]**Compliance demonstration and recordkeeping requirements.**

The permittee shall keep records of the following for Boiler 1 and 2 (Source ID 031 and 032) to demonstrate compliance with 25 Pa. Code §129.99 in the following manner:

- (a) The SCR inlet and outlet temperatures continuously with at least one reading every 15 minutes.
- (b) The ammonia injection rate to the SCR hourly with at least one reading every hour.
- (c) The records must include sufficient data, including SCR inlet and outlet temperature for each boiler; ammonia injection rate for each boiler, and calculations to demonstrate that the requirements of §129.99 are met.
- (d) Data or information required to determine compliance shall be recorded and maintained in a time frame consistent with the averaging period of the requirement.

V. REPORTING REQUIREMENTS.**# 011 [25 Pa. Code §127.511]****Monitoring and related recordkeeping and reporting requirements.**

- (a) The permittee shall submit quarterly reports which include data that clearly demonstrates that the NO_x emissions limits established for Units 1 and 2 are met. The quarterly reports shall provide the actual NO_x emission rates from Units 1 and 2 in terms of the units specified in each applicable NO_x emission limit over the associated averaging period.
- (b) The quarterly NO_x emissions reports shall indicate any time periods excluded from the daily and/or 30-day rolling average NO_x emission limit calculations as well as the basis for the exclusion.
- (c) The quarterly NO_x emissions reports may be included as part of the quarterly NO_x CEMS reports.

012 [25 Pa. Code §129.100]**Compliance demonstration and recordkeeping requirements.**

- (a) The permittee shall report monthly the following records:
- (i) Hourly load levels,
 - (ii) Heat input,
 - (iii) SCR inlet and outlet temperatures,
 - (iv) Ammonia injection rates,
 - (v) NO_x rates,
 - (vi) Total NO_x emissions,
 - (vii) Whether or not the permittee believes NO_x emissions are subject to the 0.080 lb NO_x/MMBtu limit,
 - (viii) SCR emission setpoint,
 - (ix) Clearly indicate any days for which daily emissions are greater than 0.080 lb NO_x/MMBtu,
 - (x) For days where daily emissions are greater than 0.080 lb NO_x/MMBtu, all information above shall be provided on an hourly basis.
 - (xi) Detailed explanation for any exceedances of the emission limit. This explanation shall at a minimum include the event that occurred, a detailed explanation of why this event caused an increase in emissions, an estimate of how much emissions increased due to this event including the methodology used to derive this number, the emission setpoint the SCR controller was targeting during this time, and what measures are being taken to prevent similar measures from occurring in the future.
 - (xii) Clearly document the basis for the permittee's belief regarding whether or not NO_x emissions are subject to the 0.080

**SECTION E. Source Group Restrictions.**

1b NOx/MMBtu daily average limit.

(b) Should the facility be unable to report one of the SCR temperatures due to a malfunction of the data acquisition equipment, and fixing the malfunction requires significant disruption to plant operations, the facility may report either the inlet or outlet temperature to the Department. Should the facility choose this option, they must provide the Department with an equation to calculate the missing temperature. In addition, all factors used in the equation must be reported to the Department on an hourly basis and during all times the equation is in use. Any malfunction in the data acquisition equipment must be fixed during the next scheduled shutdown.

(c) The monthly report shall be submitted within 30 days after the end of each month.

013 [25 Pa. Code §129.100]**Compliance demonstration and recordkeeping requirements.**

(a) The permittee shall provide a maintenance plan, as approved by the Department, which details any major maintenance items completed during the prior year on an annual basis. At a minimum, the maintenance plan will include a plan showing what testing occurred and under what criteria catalyst layer replacement would have occurred, any burner and SCR tuning and maintenance which was completed, all available documentation regarding any training of plant personnel on the operation of the LNB and SCR, the full SCR operating manual, the dates during which the economizer and air preheater were cleaned, any other periodic and or major maintenance items which took place during the preceding year. The maintenance plan shall be provided no later than January 30th of each year.

(b) The permittee will provide the results of all catalyst and burner testing to the Department within 30 days of their receipt of the test results.

(c) The permittee will include an annual catalyst activity test in their annual maintenance plan. Each test shall be no greater than 16 months apart and one shall be completed in each calendar year.

014 [25 Pa. Code §129.99]**Alternative RACT proposal and petition for alternative compliance schedule.**

The owner or operator shall document and report to the DEP, information regarding the cause of any NOx control equipment malfunction and the steps for bringing the controls back.

VI. WORK PRACTICE REQUIREMENTS.**# 015 [25 Pa. Code §127.441]****Operating permit terms and conditions.**

The permittee shall operate NOx controls on a year around basis.

016 [25 Pa. Code §127.441]**Operating permit terms and conditions.**

The owner or operator shall operate and maintain the low NOx burners (IDs C031 and C032) in accordance with the manufacturer's specifications and in a manner consistent with good engineering and air pollution control practices.

017 [25 Pa. Code §129.97]**Presumptive RACT requirements, RACT emission limitations and petition for alternative compliance schedule.**

Pursuant to 25 Pa. Code § 129.97(d), the permittee shall maintain and operate this combustion unit in accordance with the manufacturer's specifications and with good operating practices for the control of the VOC emissions from the combustion unit.

018 [25 Pa. Code §129.99]**Alternative RACT proposal and petition for alternative compliance schedule.**

The owner or operator shall calibrate, operate, and maintain all elements of the SCR system and units in accordance with the manufacturer's specifications, in a manner consistent with good engineering and air pollution control practices when the SCR system is in use.

019 [25 Pa. Code §129.99]**Alternative RACT proposal and petition for alternative compliance schedule.**

The owner or operator shall maintain NOx controls as effectively as reasonably possible during startups and shutdowns.

**SECTION E. Source Group Restrictions.****# 020 [25 Pa. Code §129.99]****Alternative RACT proposal and petition for alternative compliance schedule.**

The owner or operator shall take steps to bring NOx controls back into full service as quickly as practicable whenever the control equipment experiences a malfunction.

021 [25 Pa. Code §129.99]**Alternative RACT proposal and petition for alternative compliance schedule.**

All operators of Unit 1, Unit 2, SCR, and LNB shall be trained in the operation and maintenance of the unit(s) they are assigned to operate by qualified personnel.

022 [25 Pa. Code §129.99]**Alternative RACT proposal and petition for alternative compliance schedule.**

The owner or operator shall develop, maintain and implement an operation and maintenance plan (O&M Plan) for Unit 1 and Unit 2 and the SCR. The O&M Plan shall include, but not be limited to the following:

- (a) Inspection, repairs, and preventive maintenance procedures to be followed to ensure proper operation of the Unit 1 and Unit 2 and SCR system and continuing compliance with the applicable emission limits specified in this Permit.
- (b) A description of preventive maintenance schedules, spare parts inventories, procedures and protocols for unscheduled outages, and provisions for equipment replacement and measures to be taken to protect SCR system in the event of failure or shutdown.
- (c) Inspections of duct work and boiler casing and repairs of leaks to maintain flue gas temperature.
- (d) Details of the practices and procedures to be followed during periods of startup, shutdown and upset conditions in order to prevent emissions in excess of the standards specified in this permit.

023 [25 Pa. Code §129.99]**Alternative RACT proposal and petition for alternative compliance schedule.**

The owner or operator shall develop, maintain and implement an operation and maintenance plan (O&M Plan) for Unit 1 and Unit 2 and LNB. The O&M Plan shall include, but not be limited to the following:

- (a) Inspection, repairs, and preventive maintenance procedures to be followed to ensure proper operation of the Unit 1 and Unit 2 and LNB and continuing compliance with the emission standards specified in this Permit.
- (b) A description of preventive maintenance schedules, spare parts inventories, procedures and protocols for unscheduled outages, and provisions for equipment replacement and measures to be taken to protect air pollution control equipment in the event of any control equipment failure or shutdown.
- (c) Details of the practices and procedures to be followed during periods of startup, shutdown and upset conditions in order to prevent emissions in excess of the standards specified in this permit.
- (d) Inspections, repair and testing of Over Fire Air (OFA) components.

VII. ADDITIONAL REQUIREMENTS.**# 024 [25 Pa. Code §127.441]****Operating permit terms and conditions.**

Within 3 months of the effective date of this permit, the facility shall set the SCR at a target NOx emission rate of 0.07 lb NOx per MMBtu or less.

025 [25 Pa. Code §127.441]**Operating permit terms and conditions.**

The permittee shall be in compliance with all requirements in this section (Section E RACT2) within 45 days of the effective date of this permit.

***** Permit Shield in Effect. *****

**SECTION F. Alternative Operation Requirements.**

No Alternative Operations exist for this Title V facility.

**SECTION G. Emission Restriction Summary.**

No emission restrictions listed in this section of the permit.



***** End of Report *****
